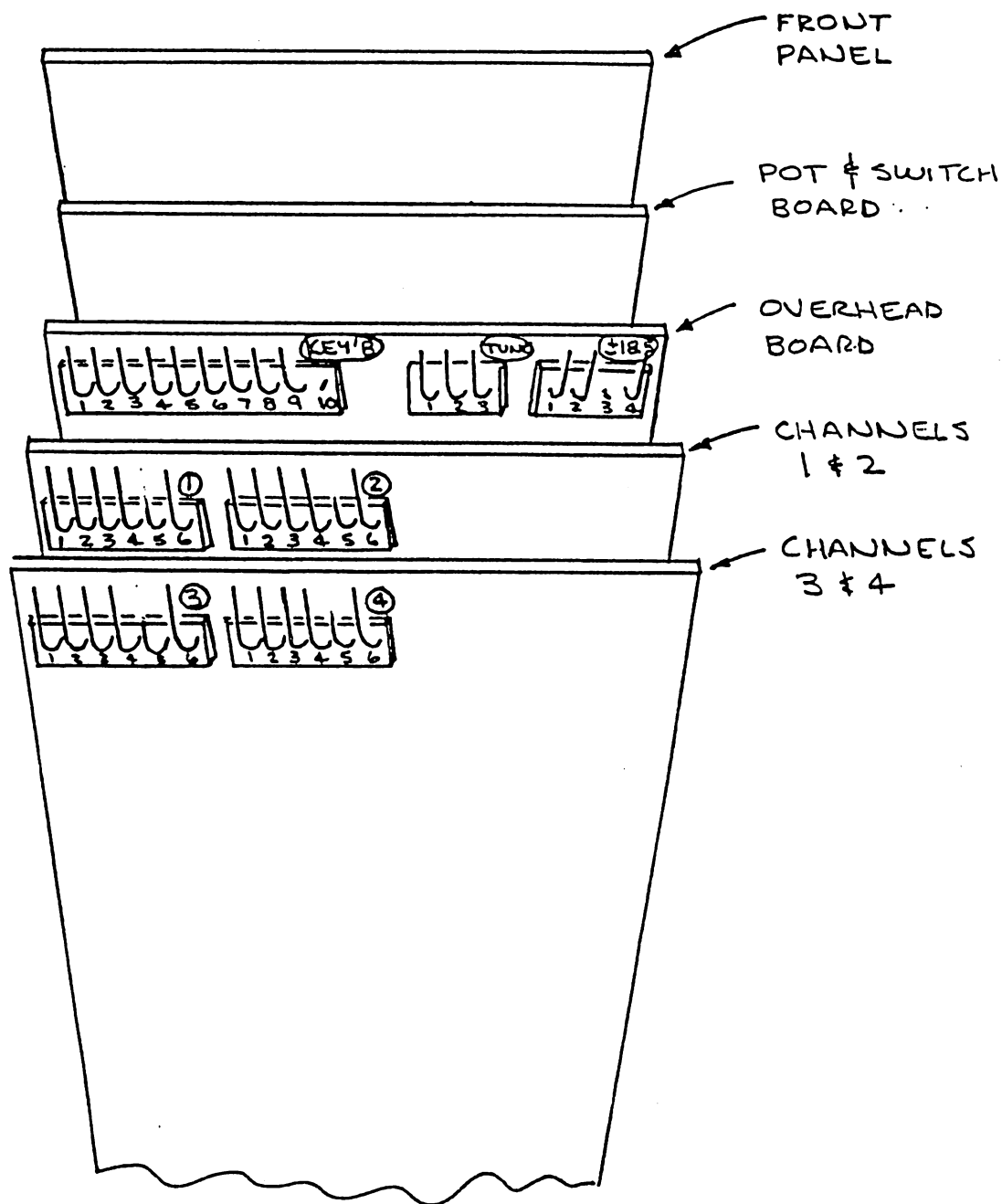


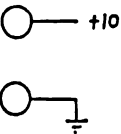
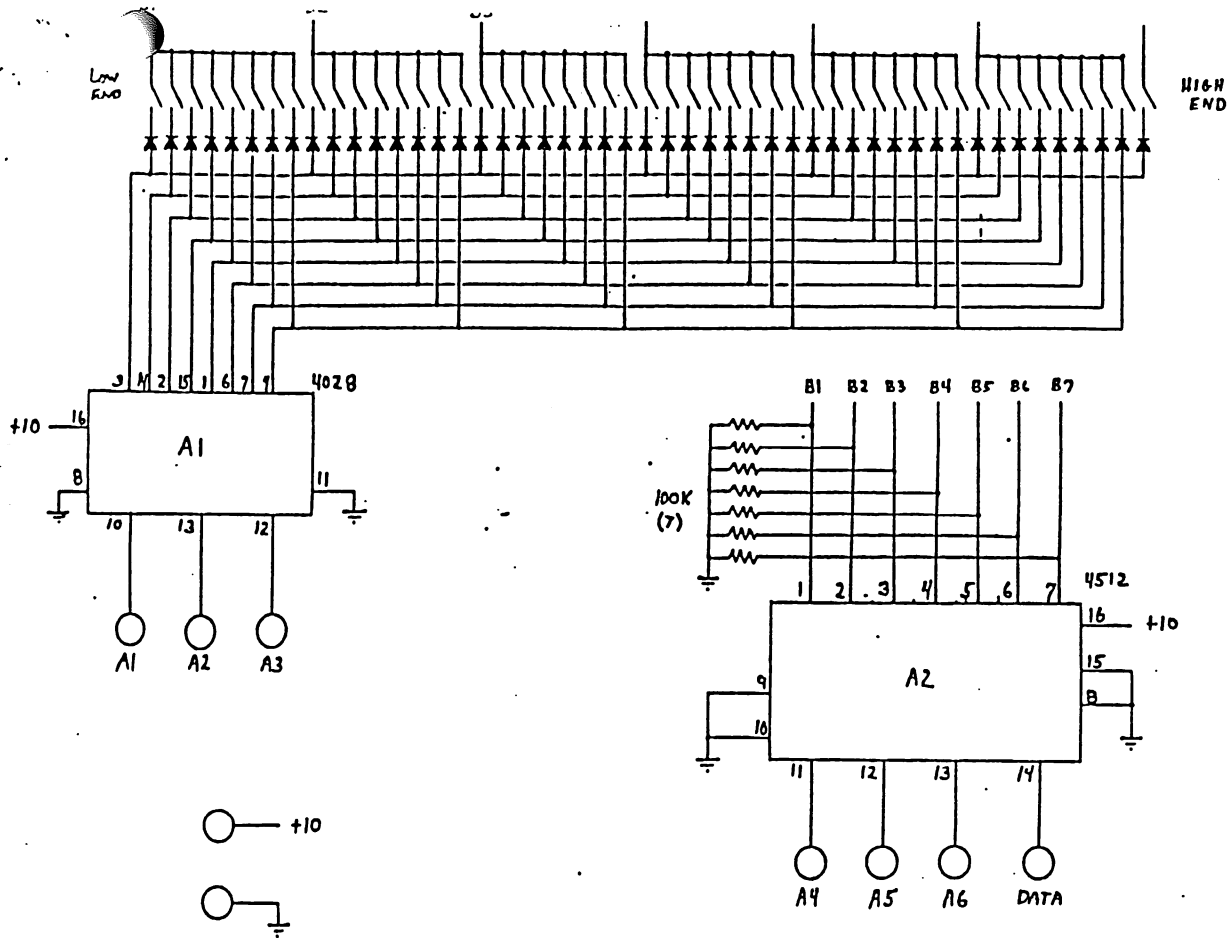
FOUR VOICE ELECTRONICS CONNECTIONS



FOUR VOICE INTER-CONNECT CABLE

(12 PIN MOLEX)

<u>FUNCTION</u>	<u>PIN</u>
CV #1	1
GATE #1	2
CV #2	3
GATE #2	4
CV #3	5
GATE #3	6
CV #4	7
GATE #4	8
GND	9
GND	10
VCO TUNE	11
VCF TUNE	12

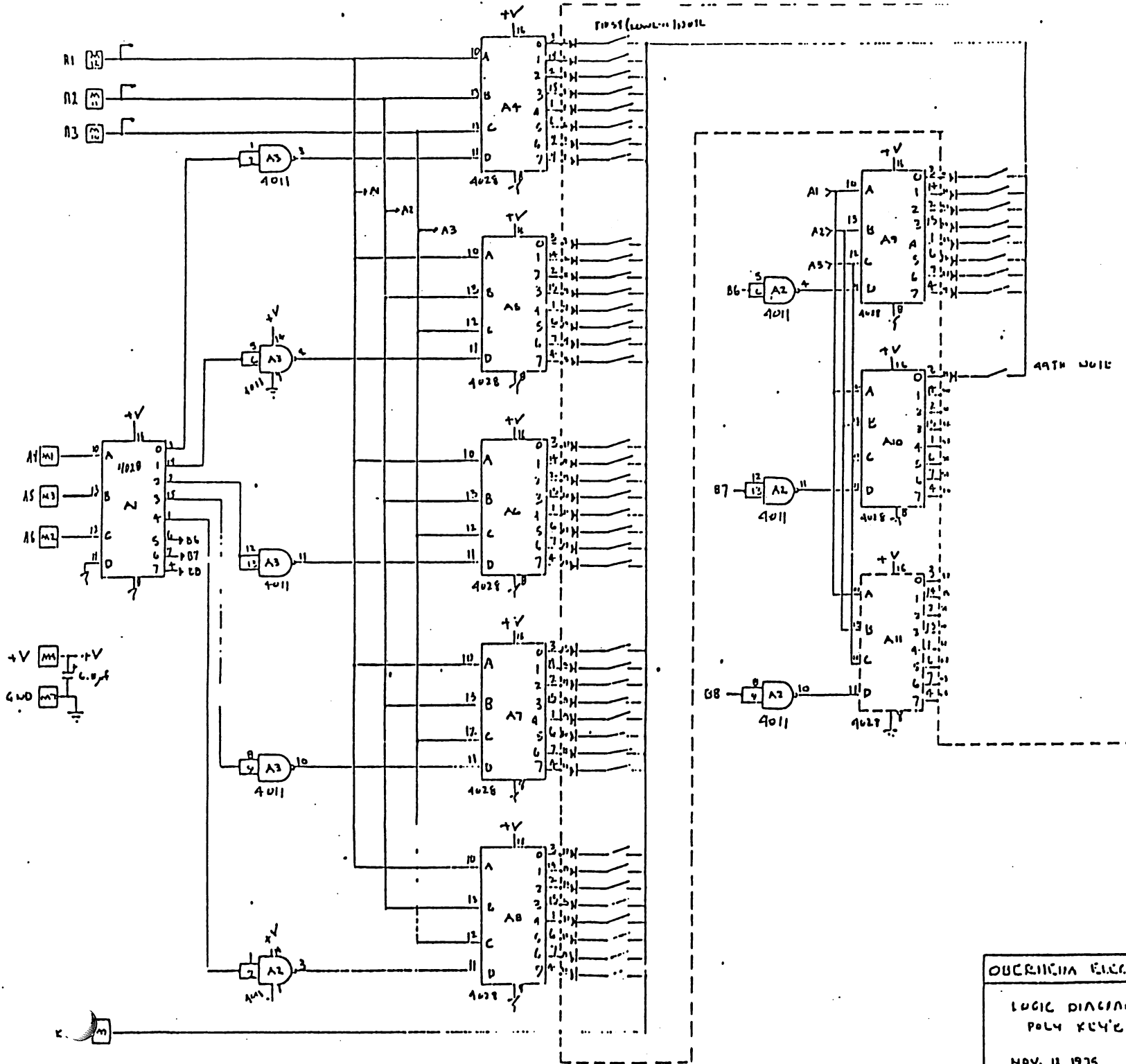


- NOTES:
- 1) A1 AND A2 TO BE MOUNTED IN SOCKETS
 - 2) ○ DENOTES SOLDERABLE PINS ON P.C BOARD
 - 3) ALL RESISTORS 5% 1/4 OR 1/2 WATT

OBERHEIM ELECTRONICS, INC.

.49 NOTE KEYBOARD
WITH DECODER

7/77

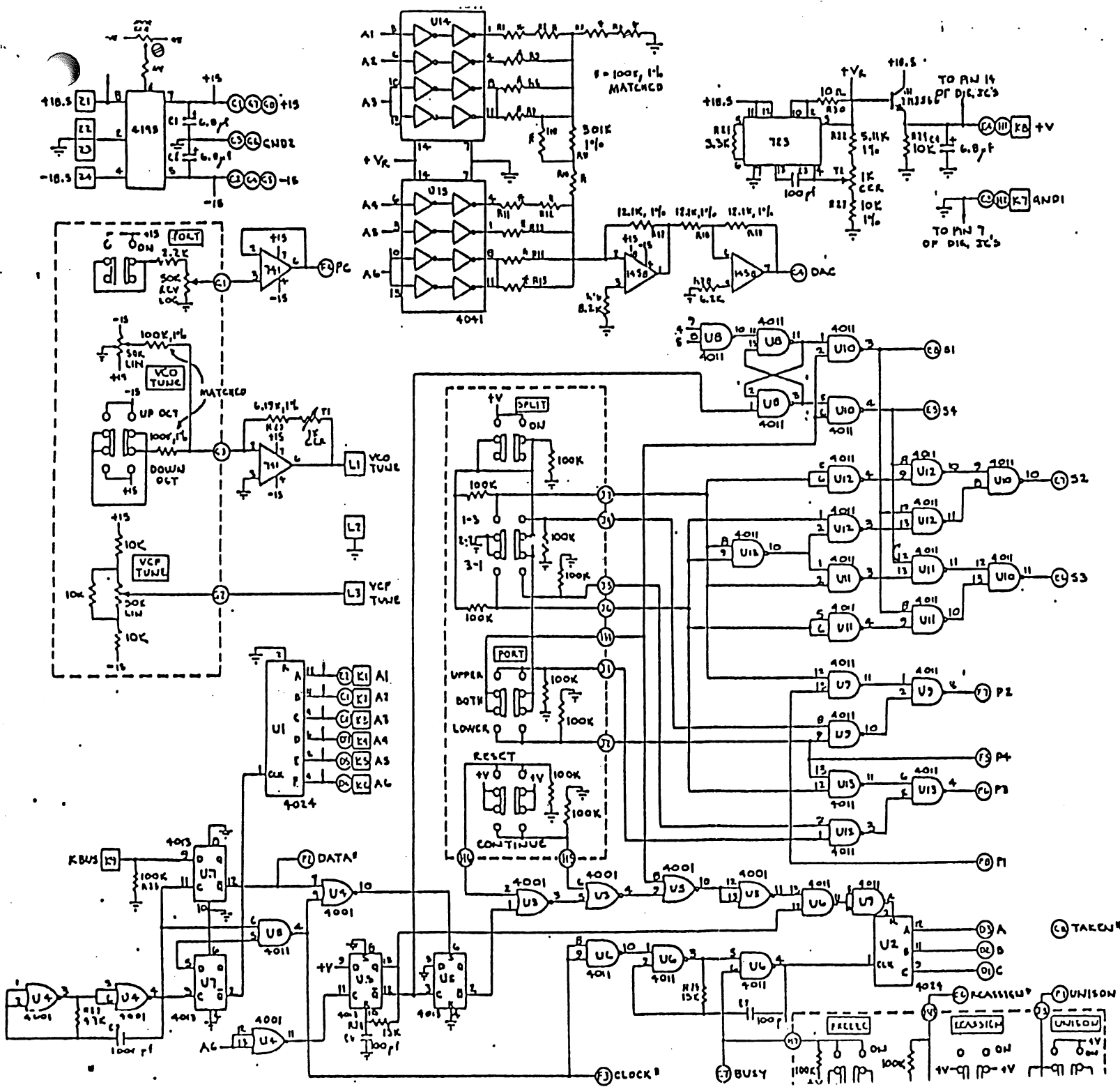


OBERONIA ELECTRONICS, INC.

LOGIC DIAGRAM -
POLY KEY# 000000

NOV. 11, 1975

1126



NOTES:
 (UNLESS SPECIFIED OTHERWISE)
 1. ALL RESISTORS ARE 1/4, 5%
 2. ALL CAPACITORS IN μ F
 3. ALL NPN TRANSISTORS - 2N3172
 4. ALL PNP TRANSISTORS - 2N3903
 5. ALL DIODES - 1N4148
 6. ALL FET'S - 2N4302

(C) TAKE
 (D) DATA
 (E) CLOCK
 (F) BUSY
 (G) RESET



CV B 1



CV B 2



CV 2 A



CV 1 A

B V C F F

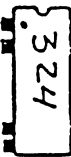


V C F M B

A V C F F

V C F M A

A D E C A Y
2



A T T A C K A
2

A S U S T A I N
2

A T T A C K A
1

A L F O F

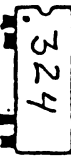


L F O M A

A S U S T A I N
1

D E C A Y 1 A

B D E C A Y
2

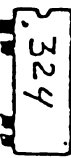


A T T A C K 2 B

B S U S T A I N
2

A T T A C K 1 B

B L F O F



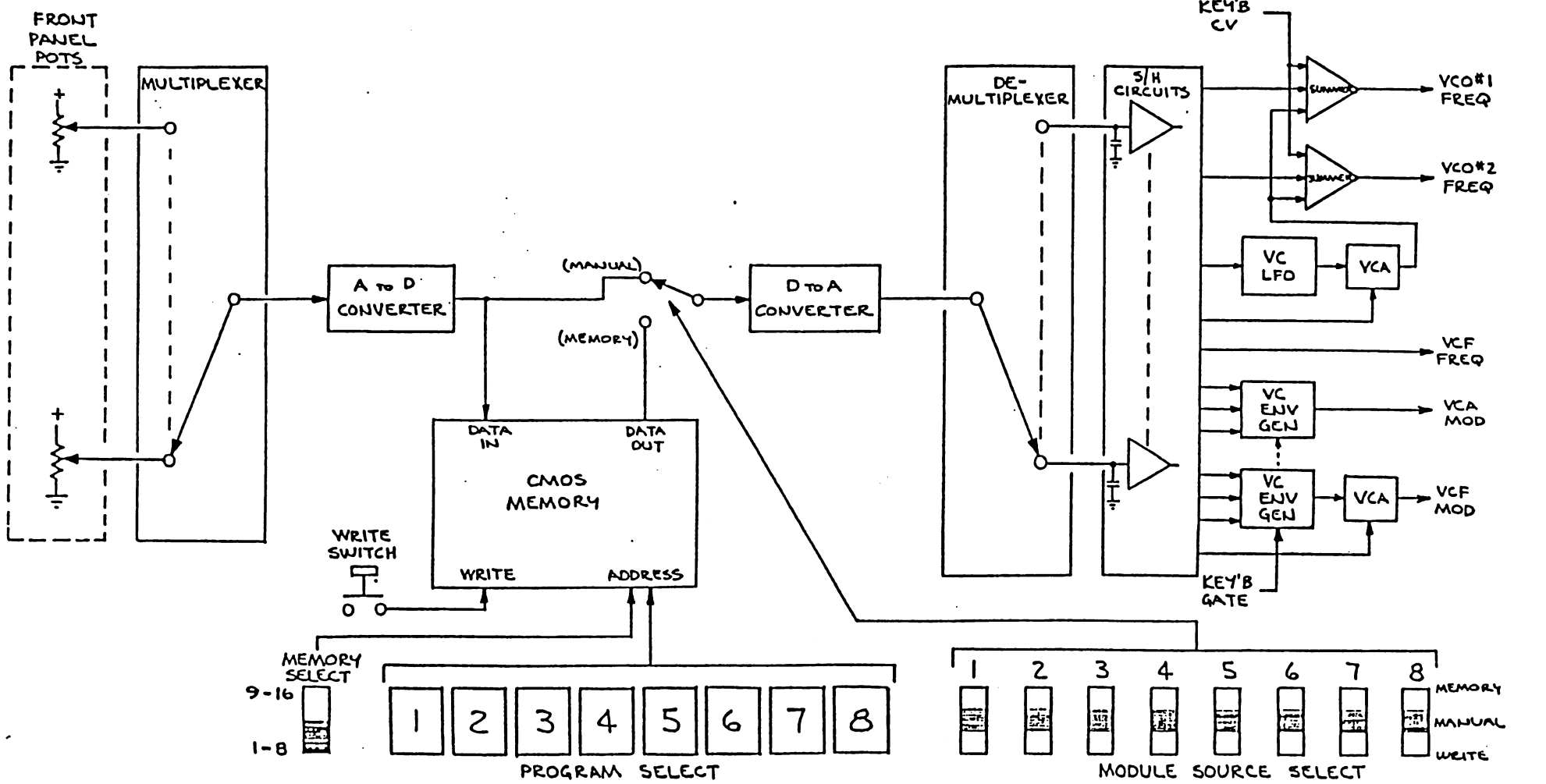
L F O M B

B S U S T A I N
1

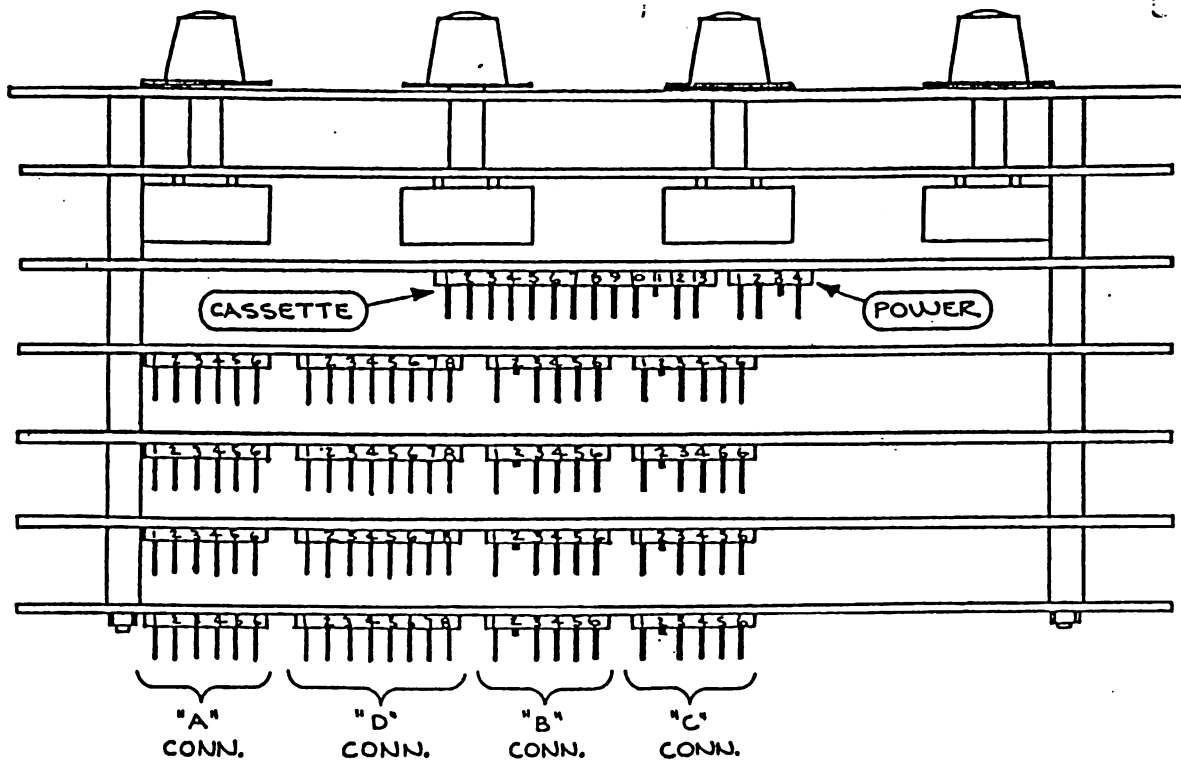
D E C A Y 1 B

PSP S: H 12/16/5
PIN OUT
6-5-78 T.S.

BLOCK DIAGRAM - PROGRAMMER -



TOP VIEW



FRONT PANEL

POT BOARD

OVERHEAD BOARD

CHANNEL BOARD #1 (CHANNELS 1&2)

CHANNEL BOARD #2 (CHANNELS 3&4)

CHANNEL BOARD #3 (CHANNELS 5&6)

CHANNEL BOARD #4 (CHANNELS 7&8)

POWER PIN	CONNECTOR FUNCTION
1	+18.5 V
2	GND
3	KEY
4	-18.5 V

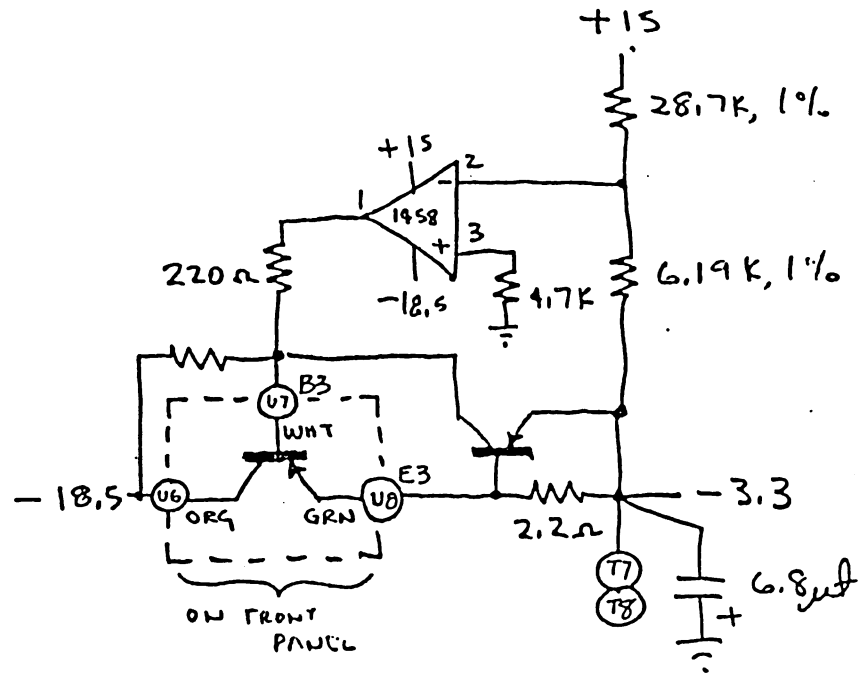
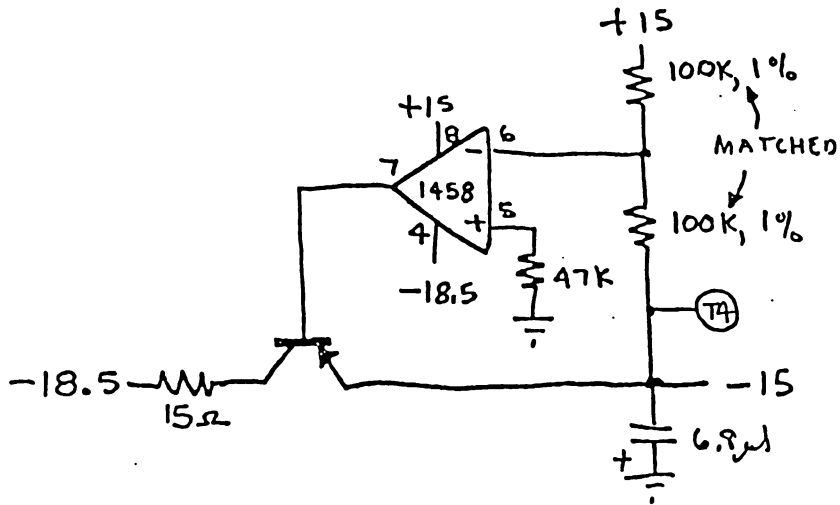
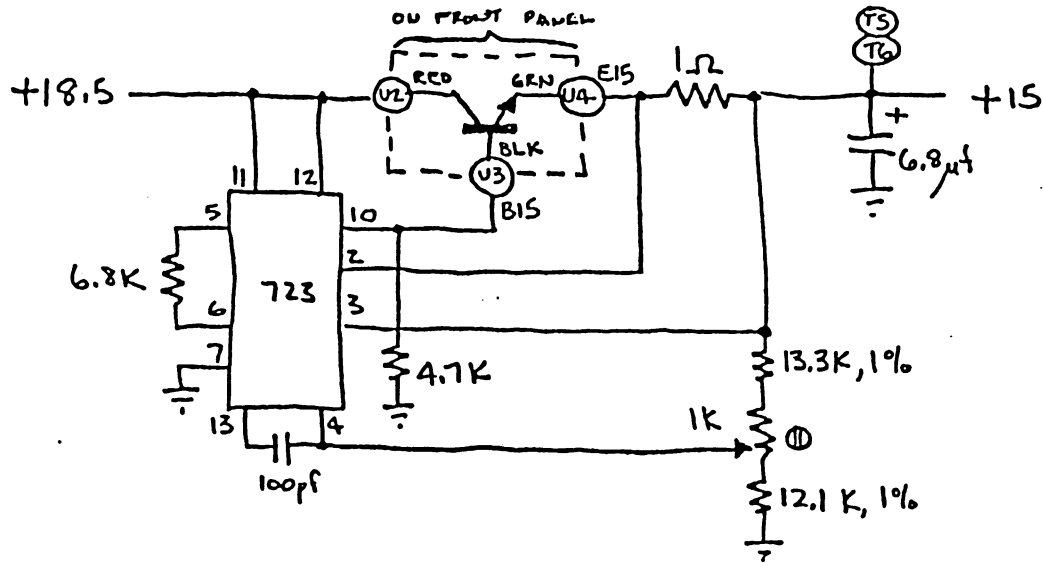
A CONNECTOR		D CONNECTOR		B CONNECTOR		C CONNECTOR	
PIN	FUNCTION	PIN	FUNCTION	PIN	FUNCTION	PIN	FUNCTION
1	KEY 'B' CV 'A' (CH'S 1,3,5,7)	1	VCO 2 CV 'B' (CH'S 2,4,6,8)	1	GATE 'A' (CH'S 1,3,5,7)	1	GATE 'B' (CH'S 2,4,6,8)
2	KEY 'B' CV 'B' (CH'S 2,4,6,8)	2	VCO 2 CV 'A' (CH'S 1,3,5,7)	2	KEY	2	KEY
3	GND	3	VCF ENV 'B' (CH'S 2,4,6,8)	3	GND	3	GND
4	GND	4	VCF ENV 'A' (CH'S 1,3,5,7)	4	NOT USED	4	NOT USED
5	KEY 'B' GATE 'B' (CH'S 2,4,6,8)	5	VCF CV 'B' (CH'S 2,4,6,8)	5	NOT USED	5	NOT USED
6	KEY 'B' GATE 'A' (CH'S 1,3,5,7)	6	VCF CV 'A' (CH'S 1,3,5,7)	6	VCO 1 CV 'A' (CH'S 1,3,5,7)	6	VCO 1 CV 'B' (CH'S 2,4,6,8)
		7	VCA ENV 'B' (CH'S 2,4,6,8)				
		8	VCA ENV 'A' (CH'S 1,3,5,7)				

OBERHEIM ELECTRONICS, INC

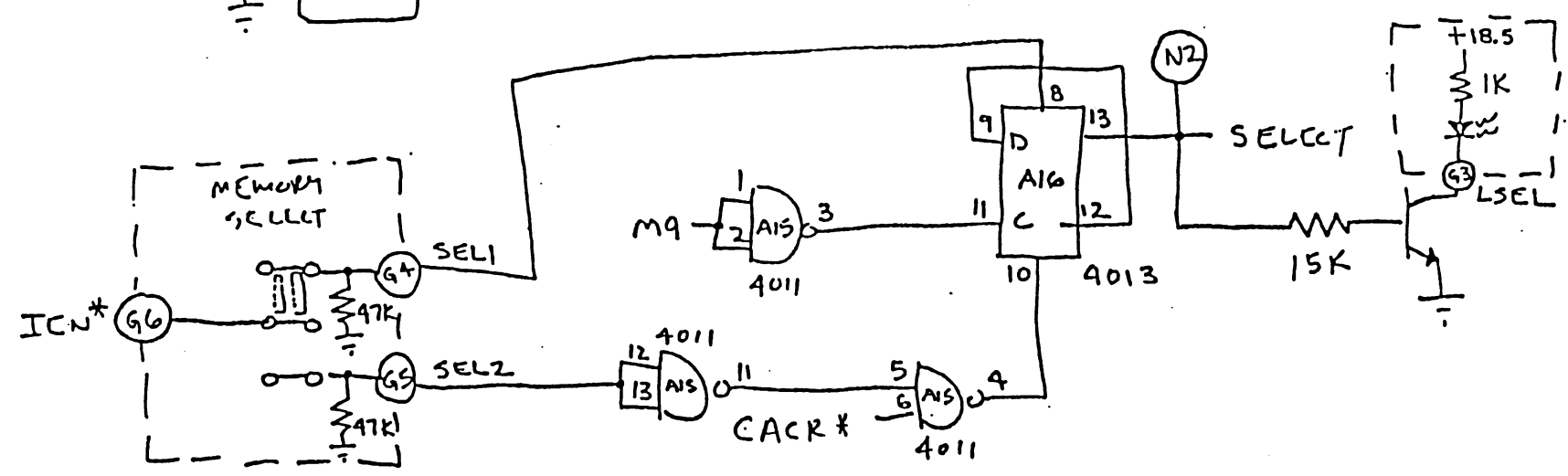
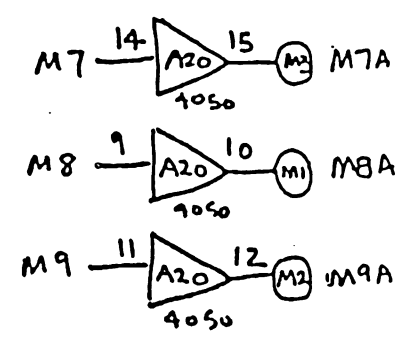
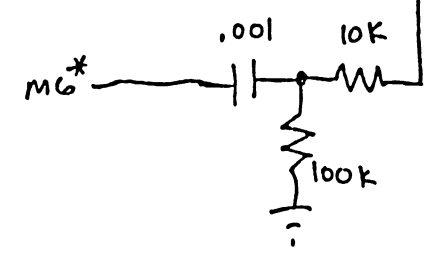
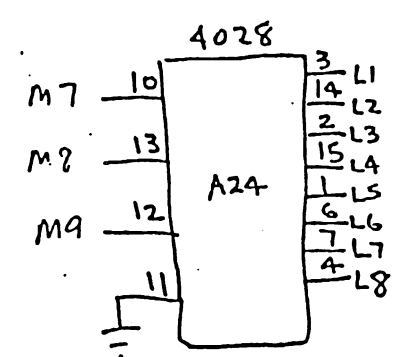
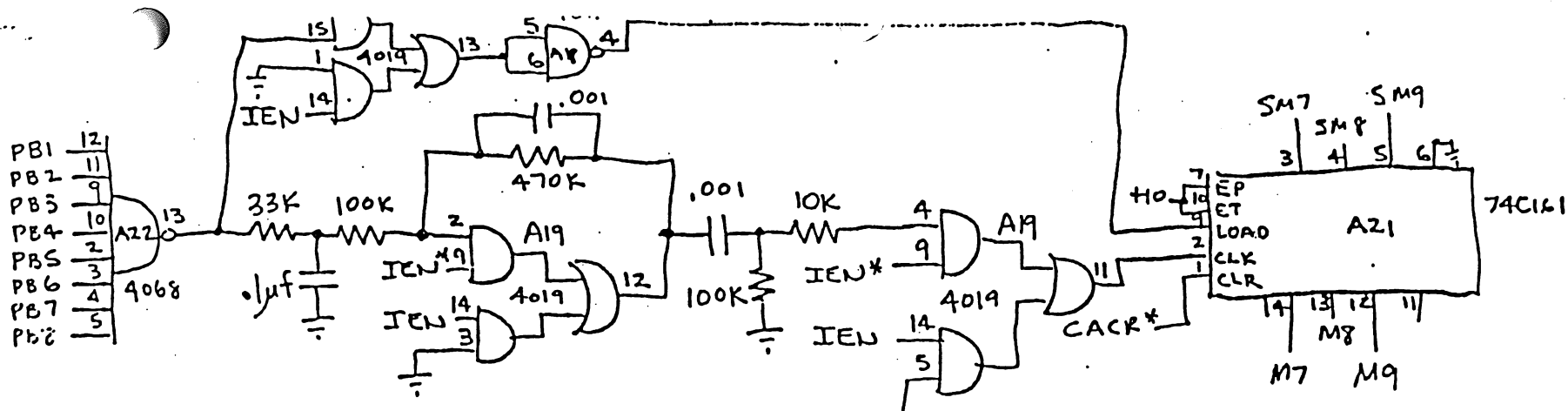
PROGRAMMER
INPUT-OUTPUT CONNECTOR
PLACEMENTS

DEC. 15, 1976

PROGRAMMER POWER SUPPLIES (ON OVERHEAD BD)

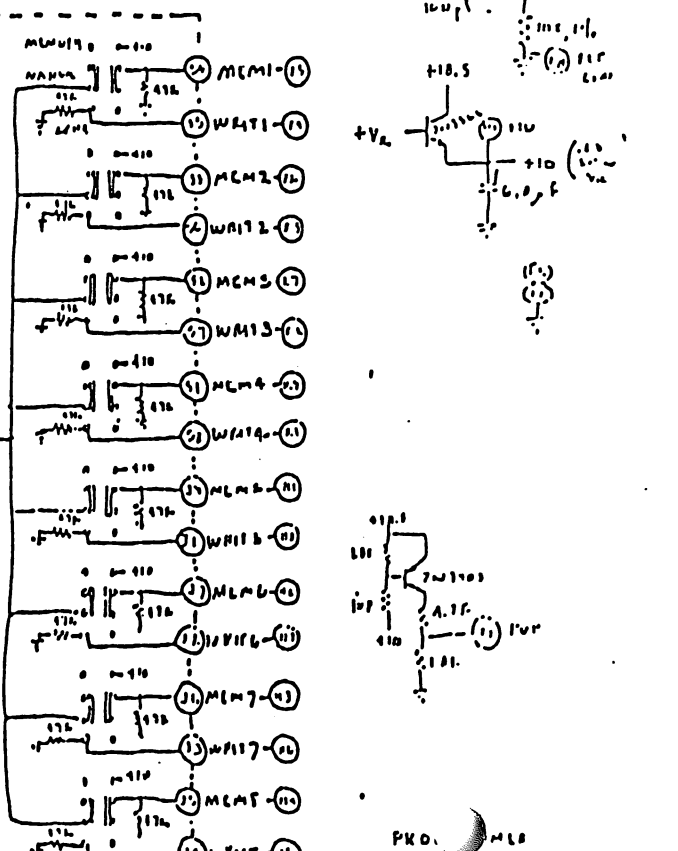
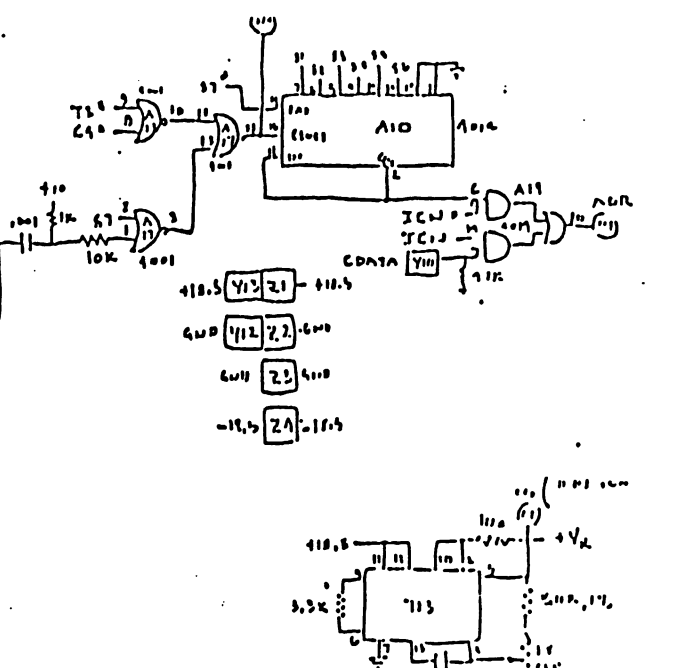
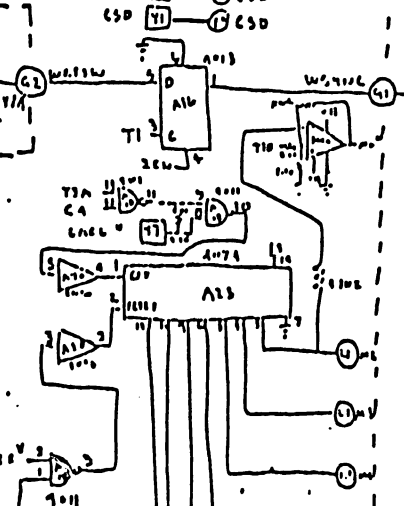
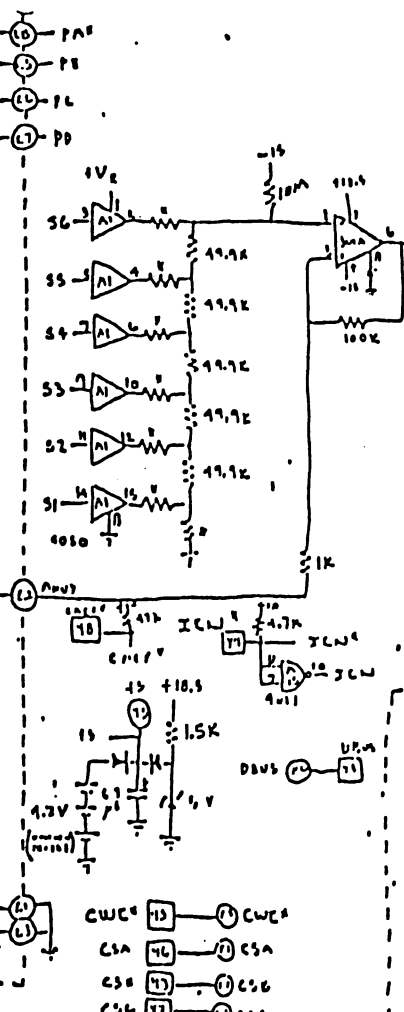
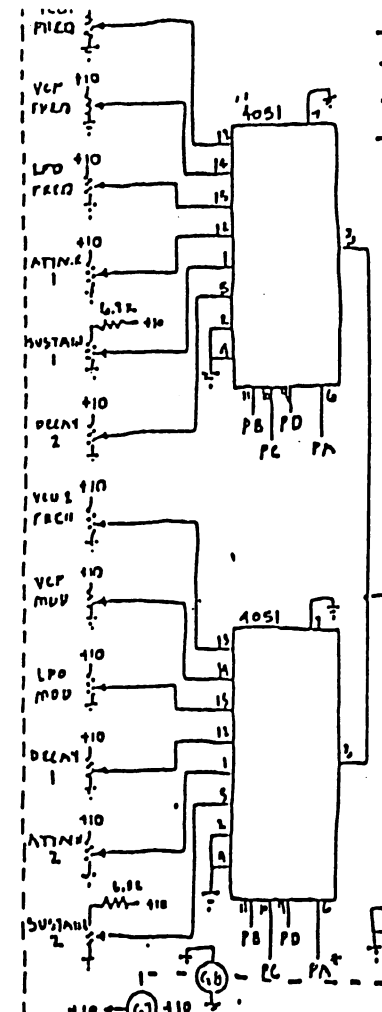
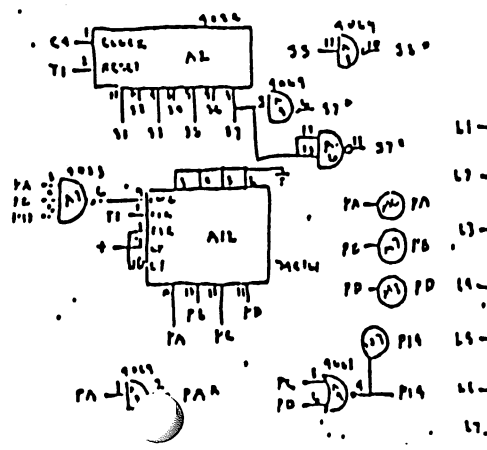
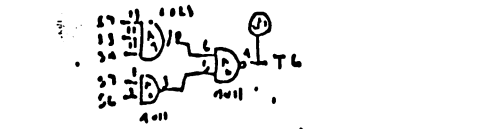
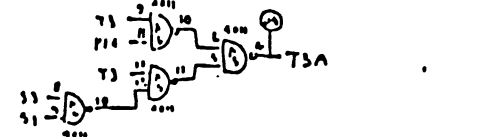
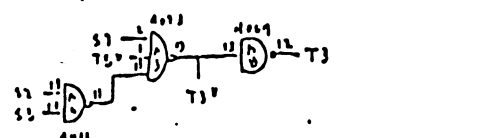
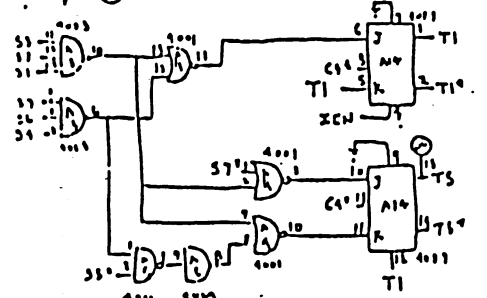
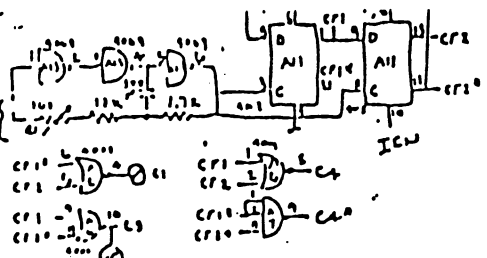


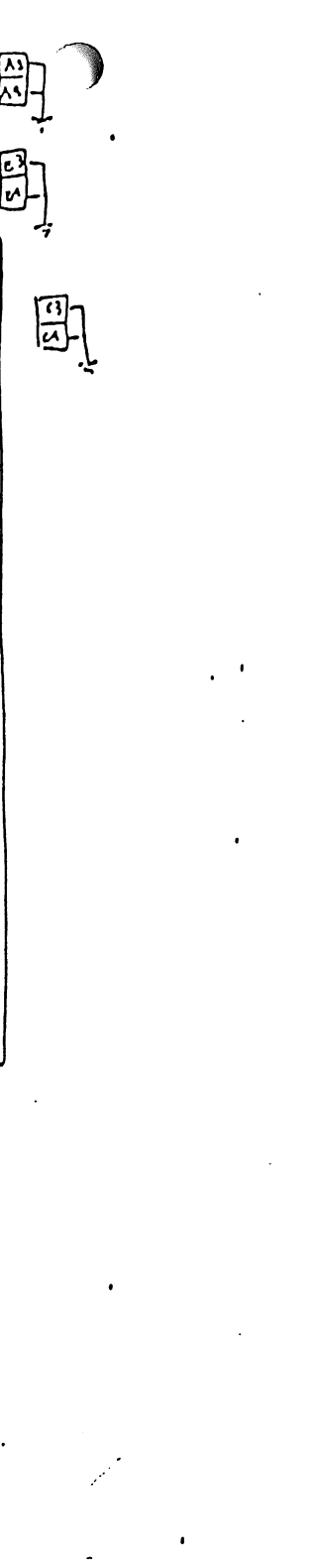
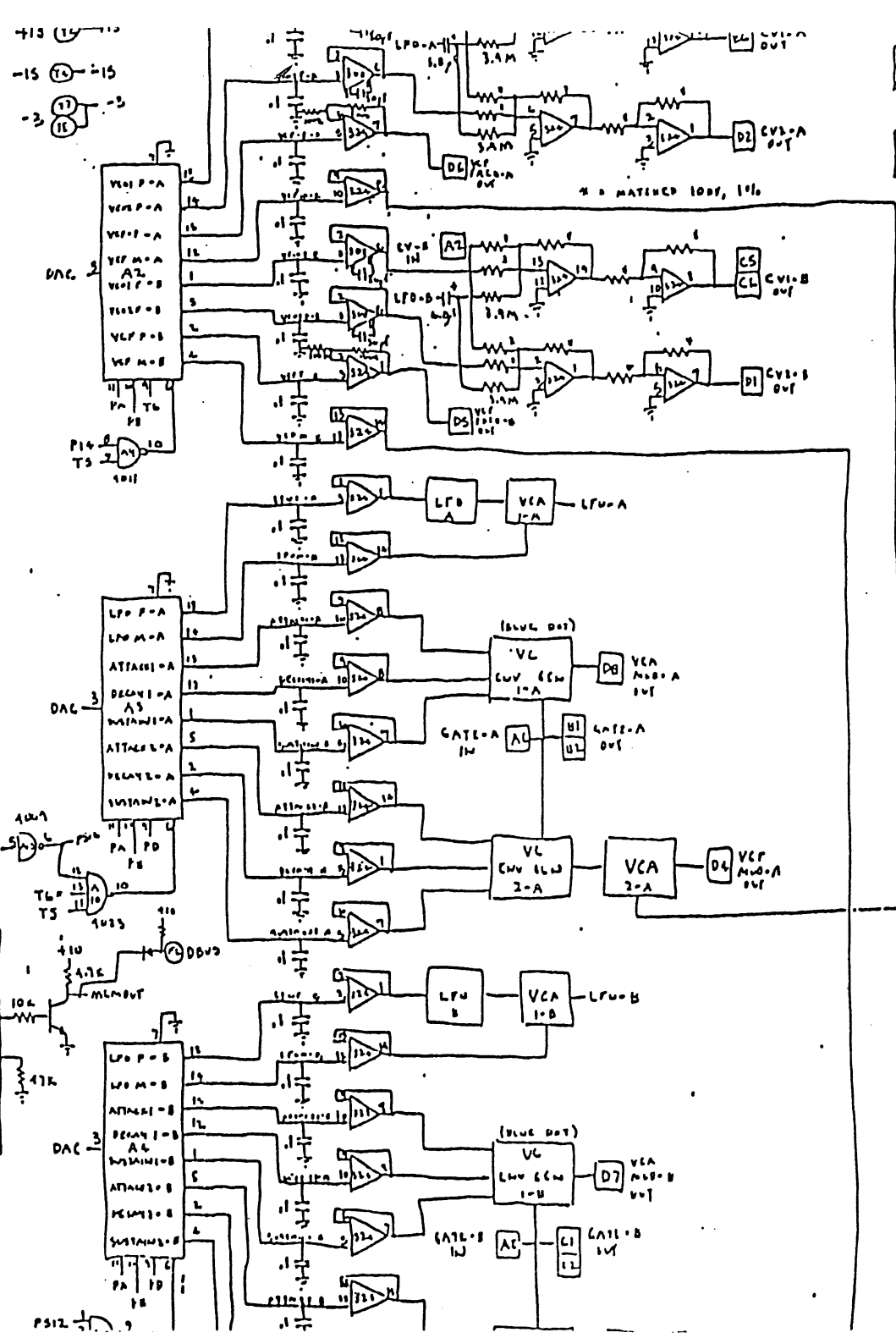
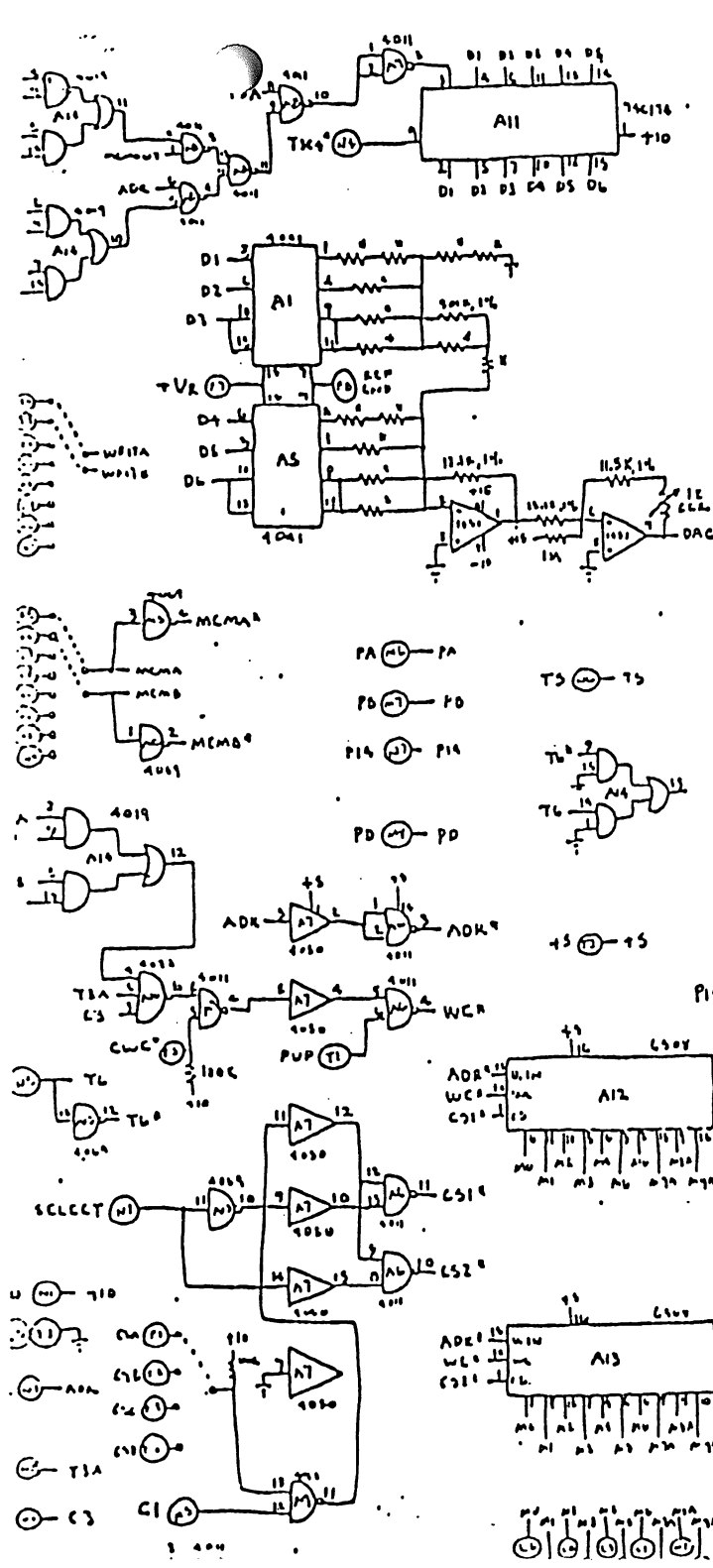
.10-20-76



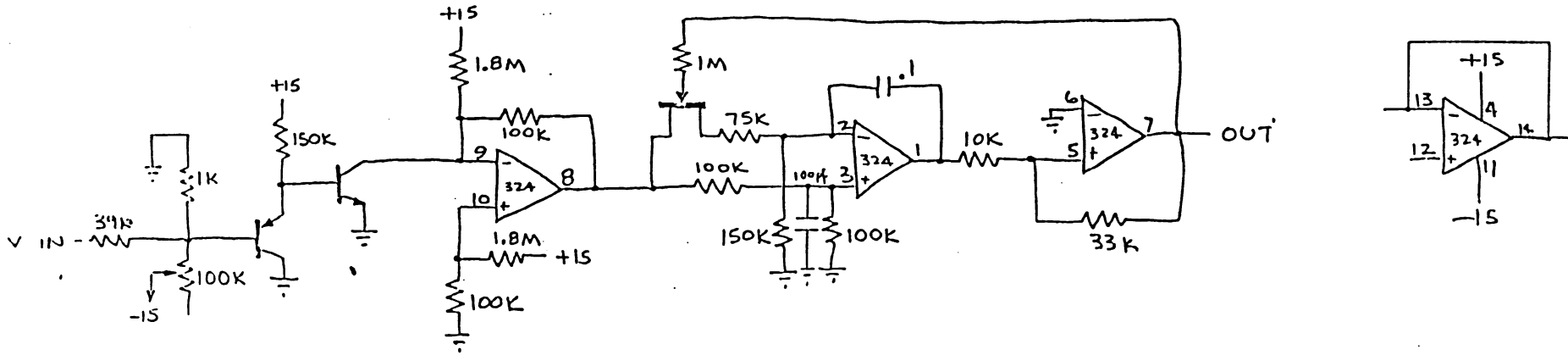
10-20-76

PROGRAMMER OVERHEAD





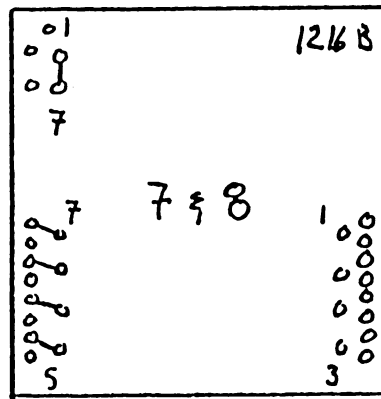
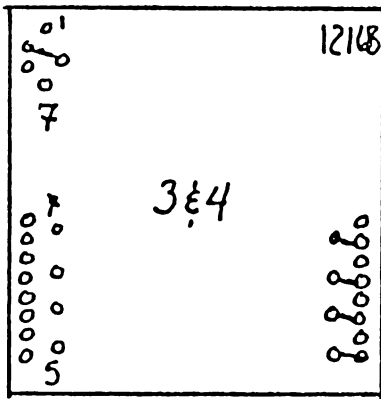
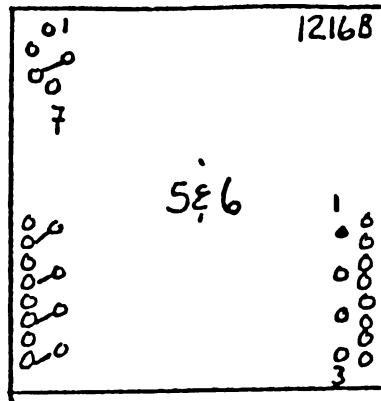
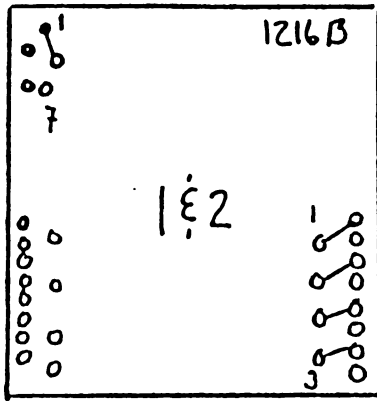
PROGRAMMER LFO



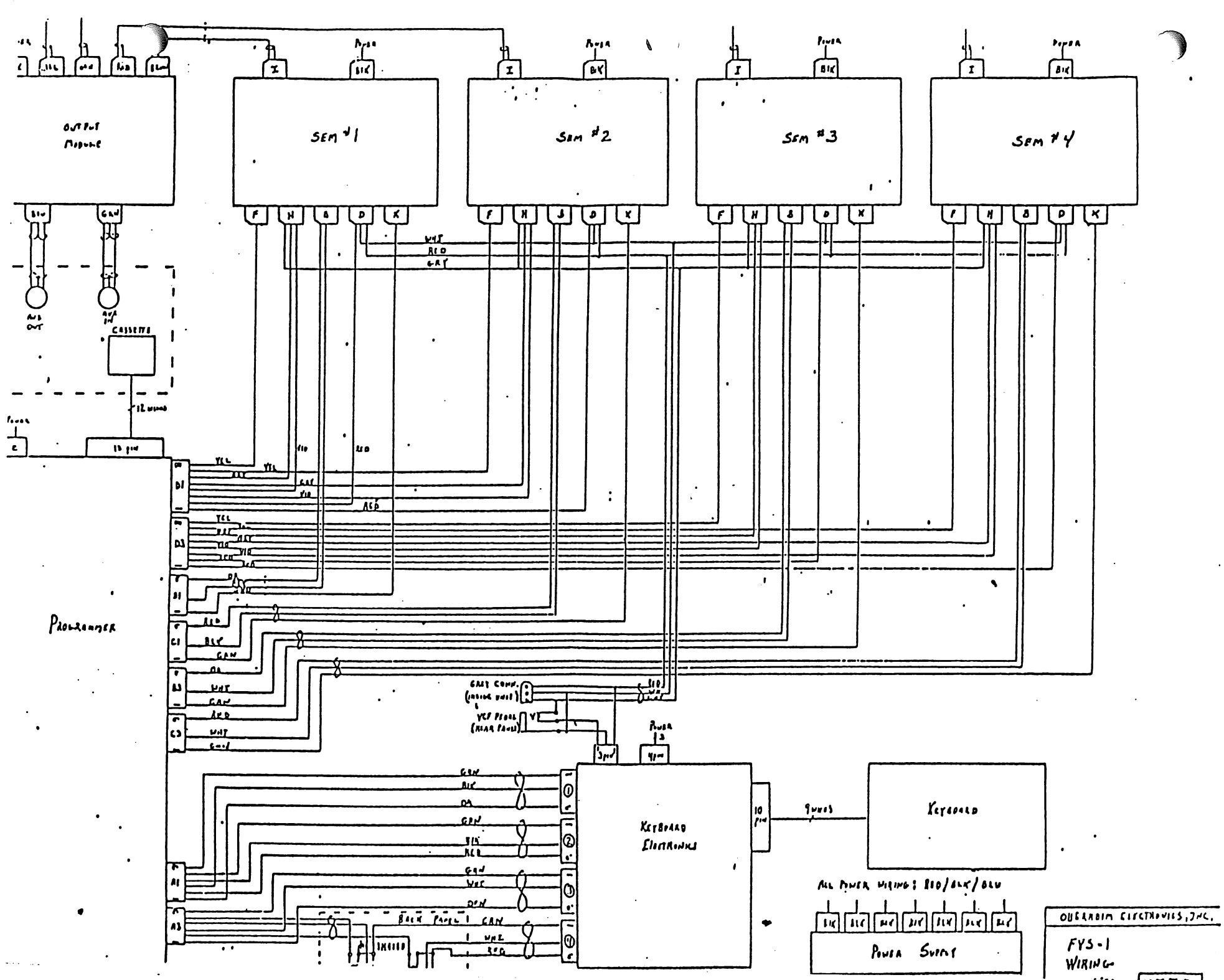
- NOTES:
 (UNLESS SPECIFIED OTHERWISE)
1. ALL RESISTORS ARE $\pm 5\%$
 2. ALL CAPACITORS IN μ F
 3. ALL NPN TRANSISTORS - 2N5172
 4. ALL PNP TRANSISTORS - 2N3903
 5. ALL DIODES - 1N4148
 6. ALL FET'S - 2N4302

10-20-76

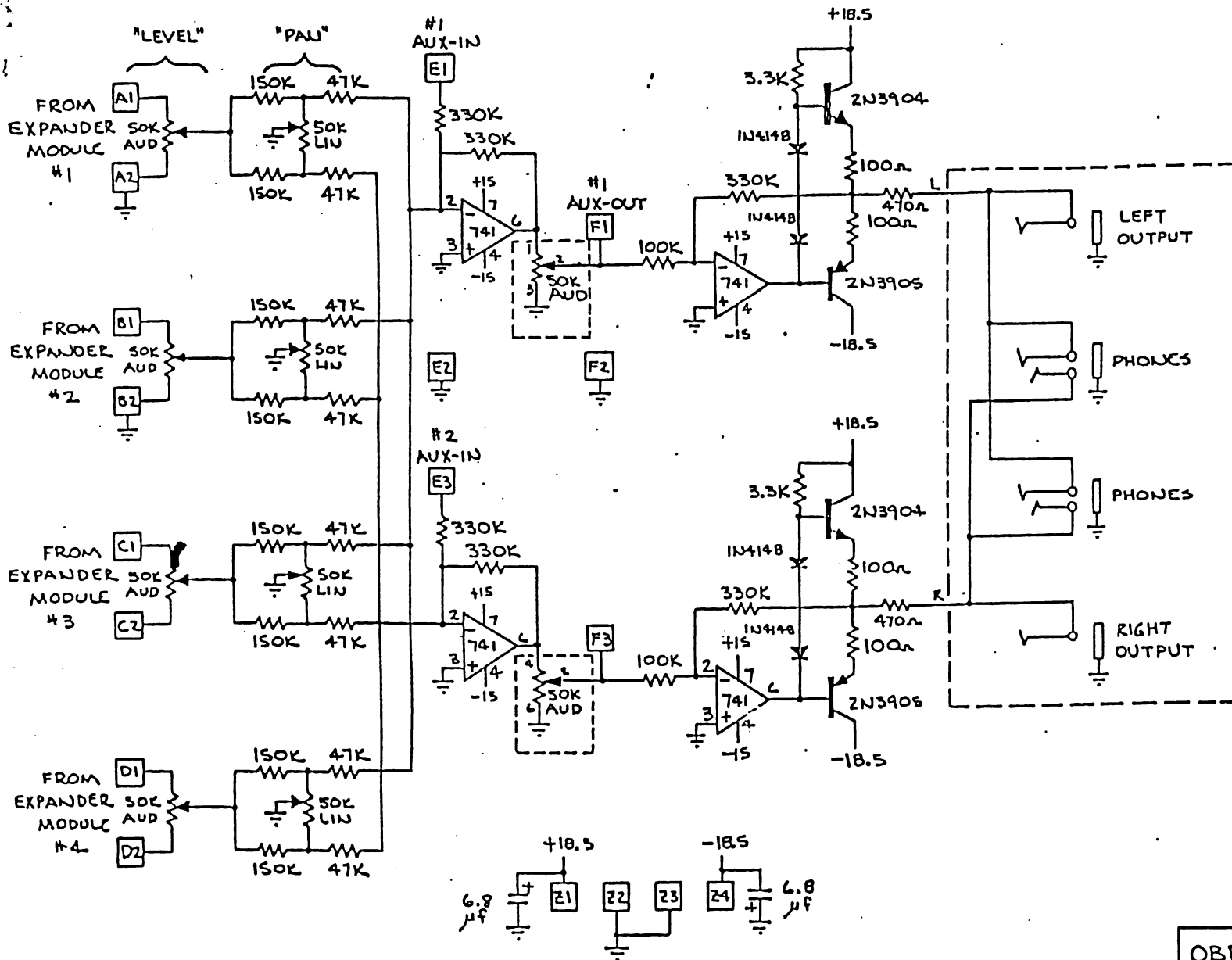
A



CHANNEL T.S.
 JUMPING
 PSP-1



OURARIM ELECTRONICS, INC.
FYS-1
WIRING



OBERHEIM ELECTRONICS, INC.

- SCHEMATIC -

4 VOICE OUTPUT MODULE

MAR. 8, 1976

1173