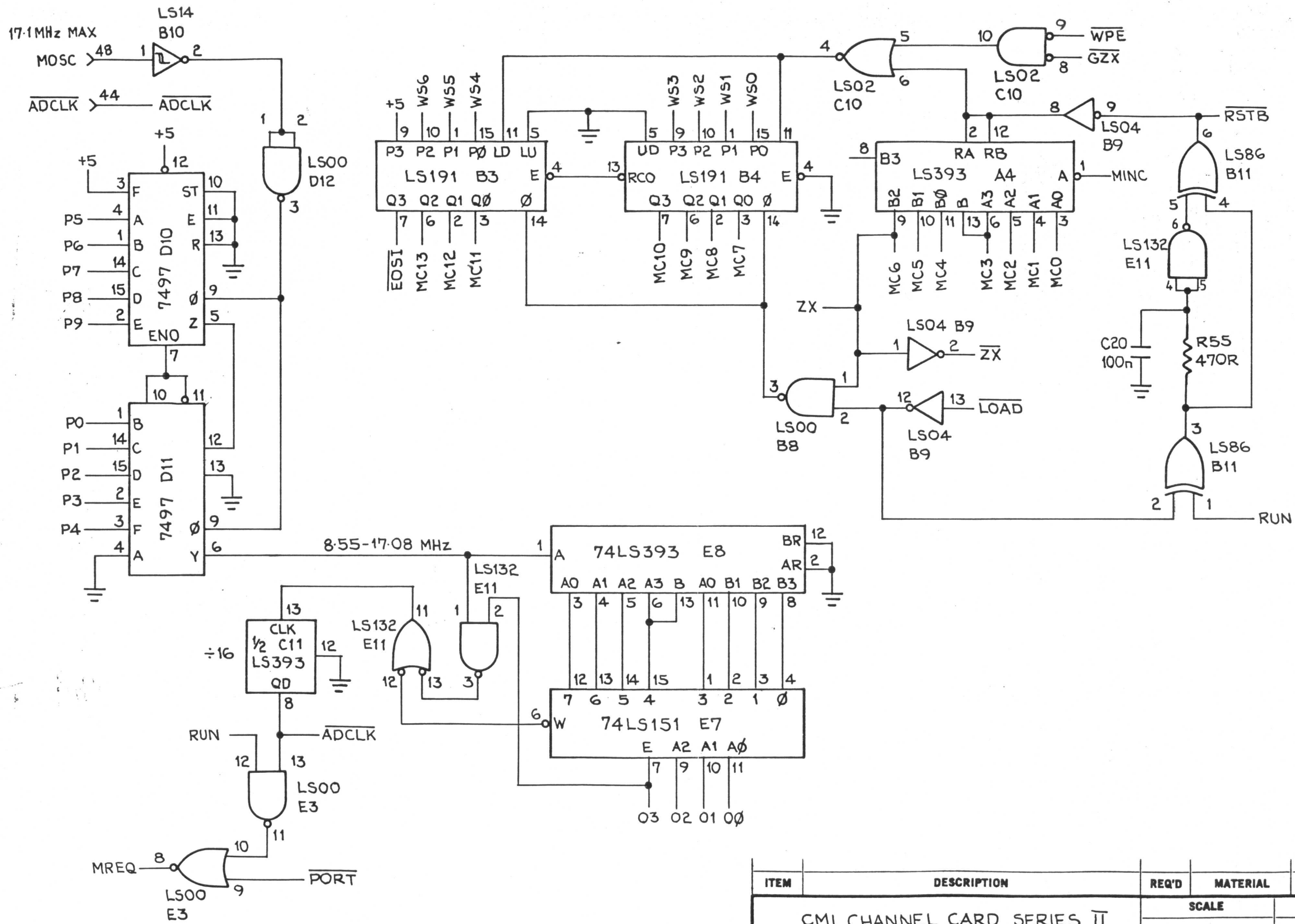
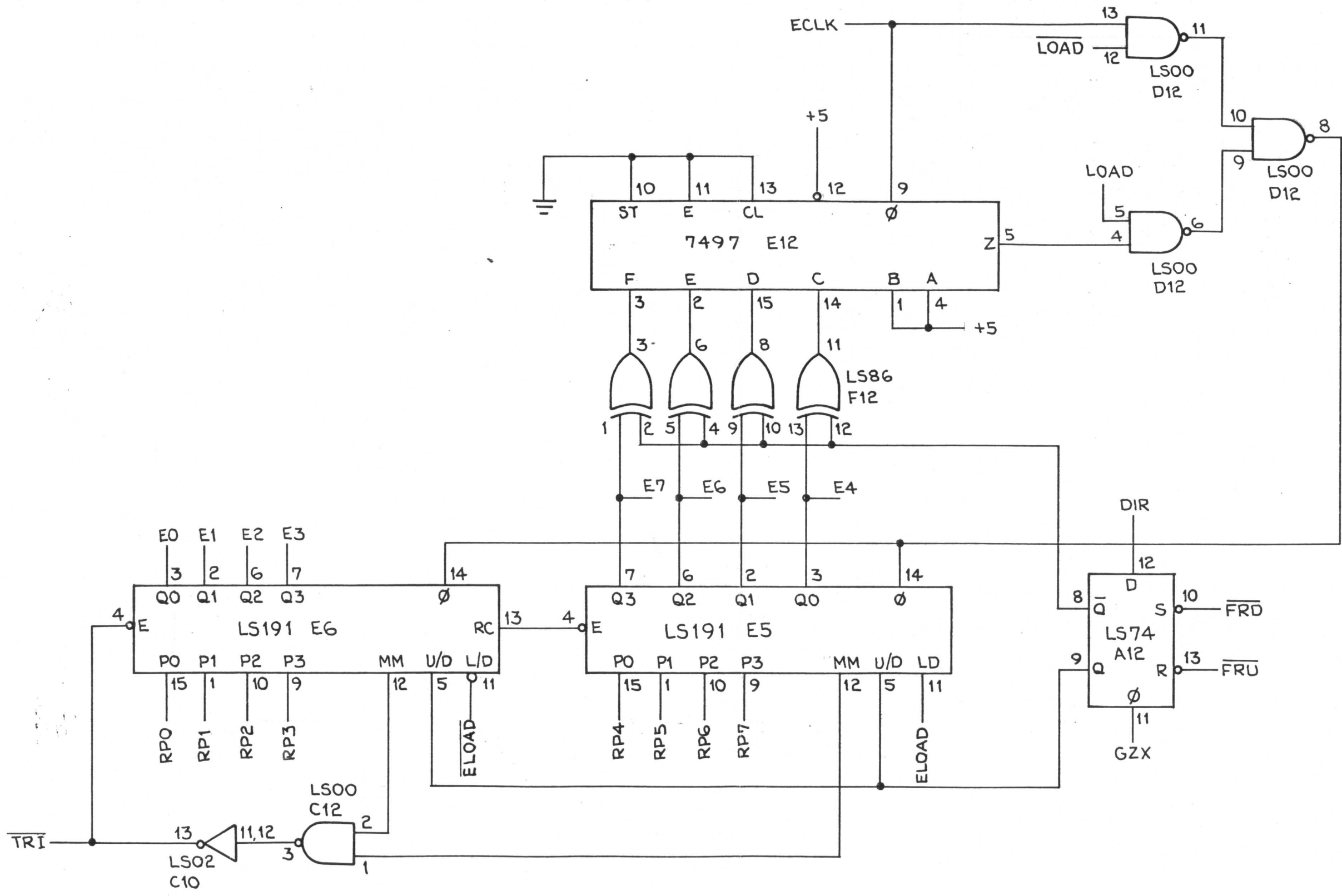


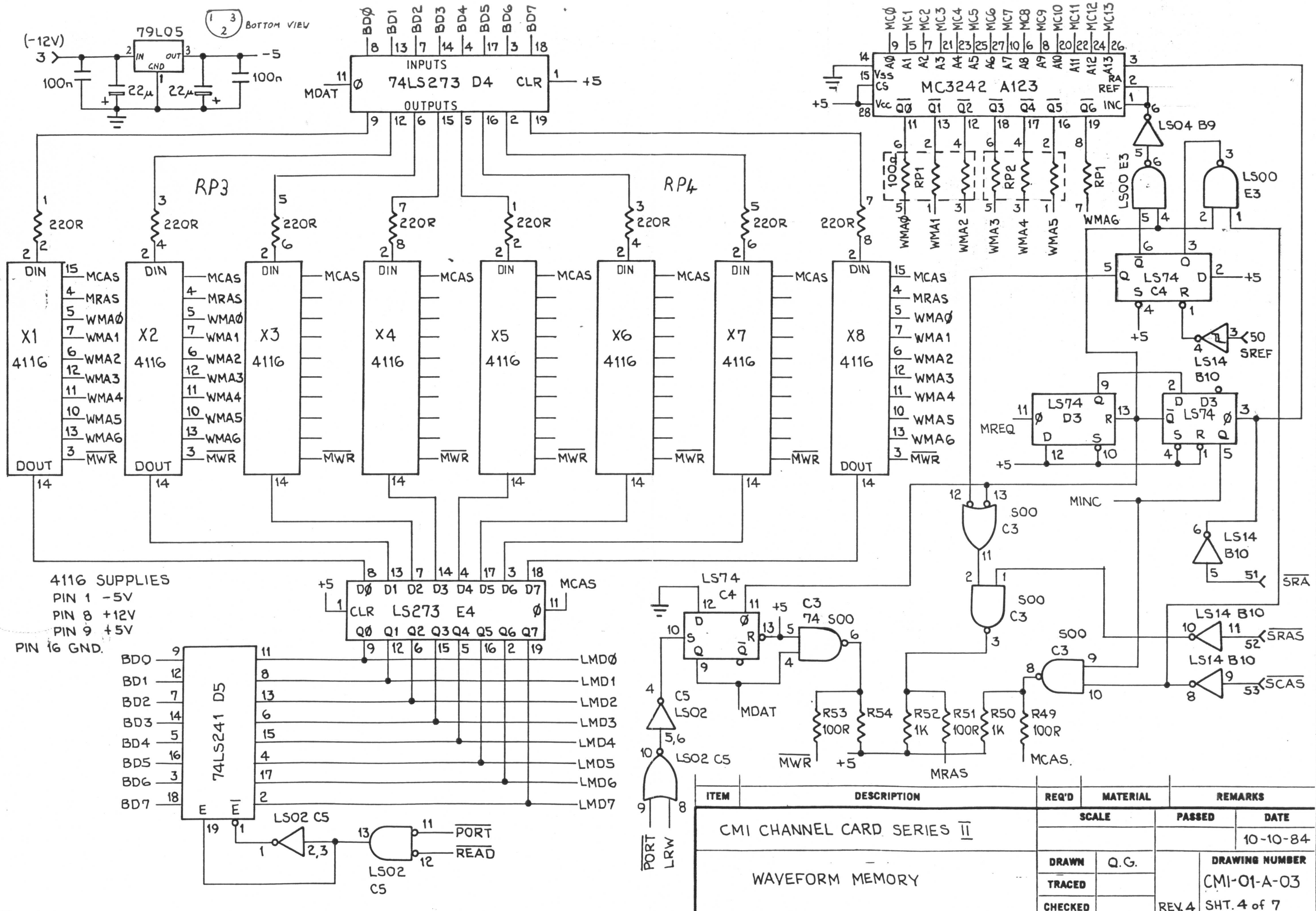
ITEM	DESCRIPTION	REQ'D	MATERIAL	REMARKS
	CMI CHANNEL CARD SERIES II		SCALE	PASSED
	BUS INTERFACE			DATE
	MODE CONTROL			1/9/83
	SEGMENT TIMER/COUNTERS		DRAWN	DRAWING NUMBER
			TRACED	CMI-01-A-00
			CHECKED	REV.4. SHT. 1 of 7



ITEM	DESCRIPTION	REQ'D	MATERIAL	REMARKS
CMI CHANNEL CARD SERIES II		SCALE		PASSED DATE
PITCH GENERATIONS AND WAVEFORM ADDRESSING		DRAWN		DRAWING NUMBER
		TRACED		CMI-01-A-01
		CHECKED		REV.4 SHT. 2 of 7

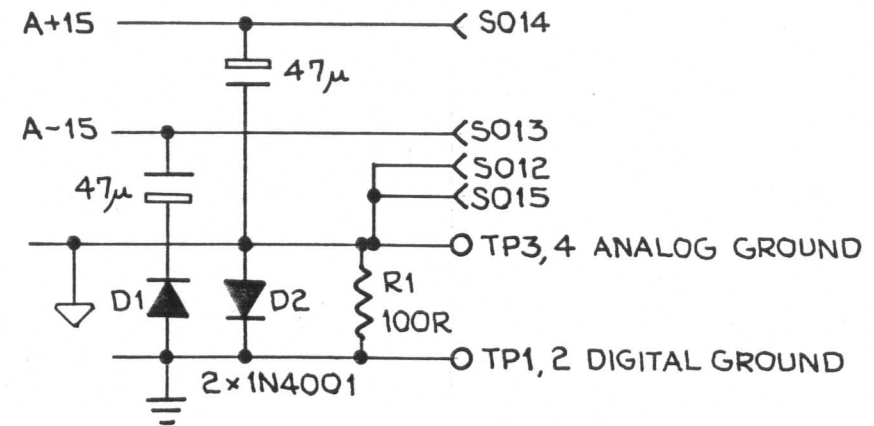
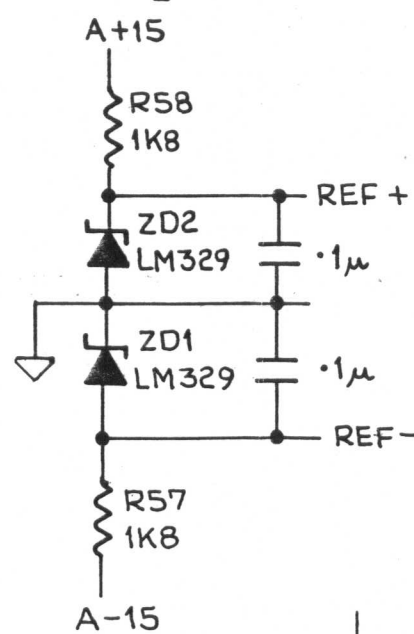
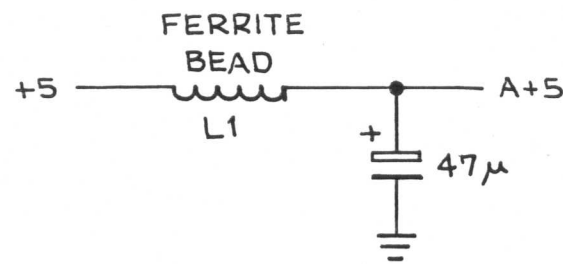
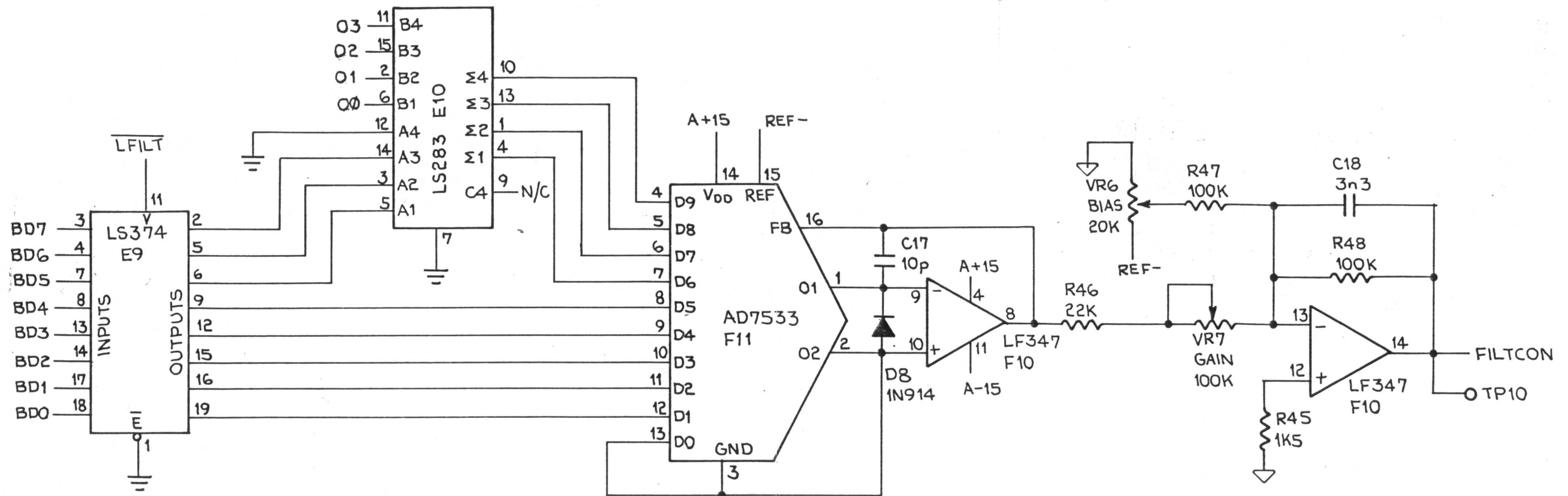


ITEM	DESCRIPTION	REQ'D	MATERIAL	REMARKS
	CMI CHANNEL CARD SERIES II		SCALE	PASSED DATE 10/10/84
	ENVELOPE RAMPING		DRAWN Q.G. TRACED CHECKED	DRAWING NUMBER CMI-01-A-02 REV.4 SHT. 3 of 7

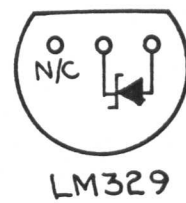


4116 SUPPLIES
 PIN 1 -5V
 PIN 8 +12V
 PIN 9 +5V
 PIN 16 GND.

ITEM	DESCRIPTION	REQ'D	MATERIAL	REMARKS
	CMI CHANNEL CARD SERIES II			SCALE
	WAVEFORM MEMORY			PASSED
				DATE
				10-10-84
				DRAWN Q.G.
				TRACED
				CHECKED
				DRAWING NUMBER
				CMI-01-A-03
				REV. 4 SHT. 4 of 7

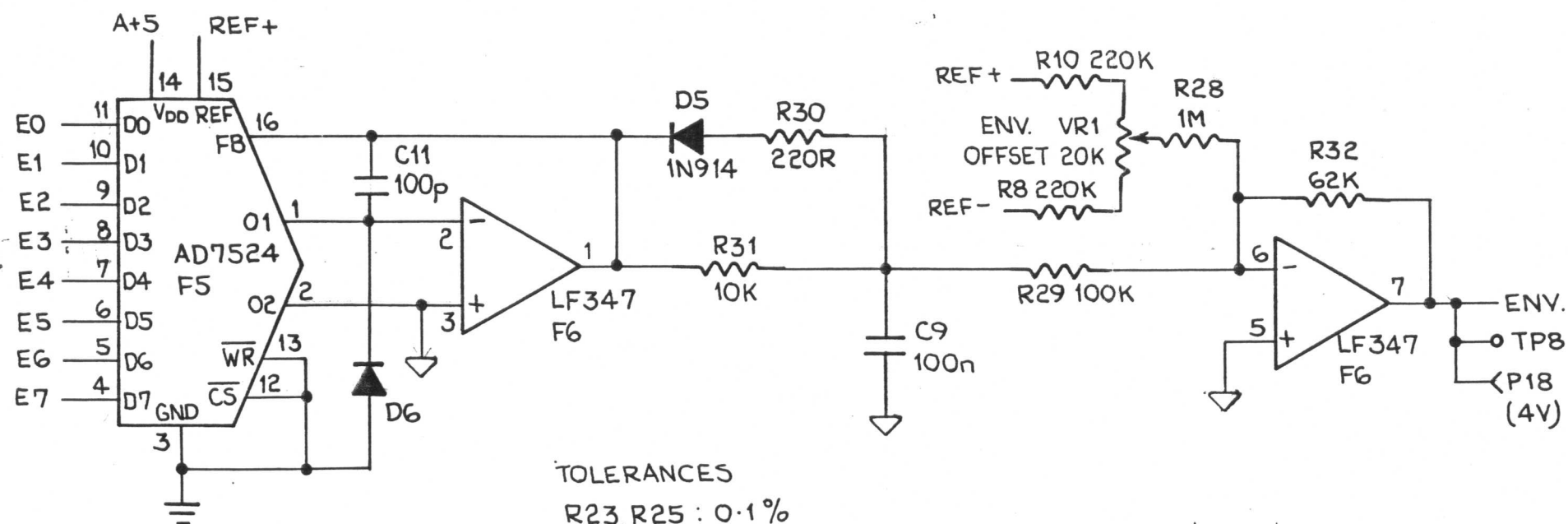
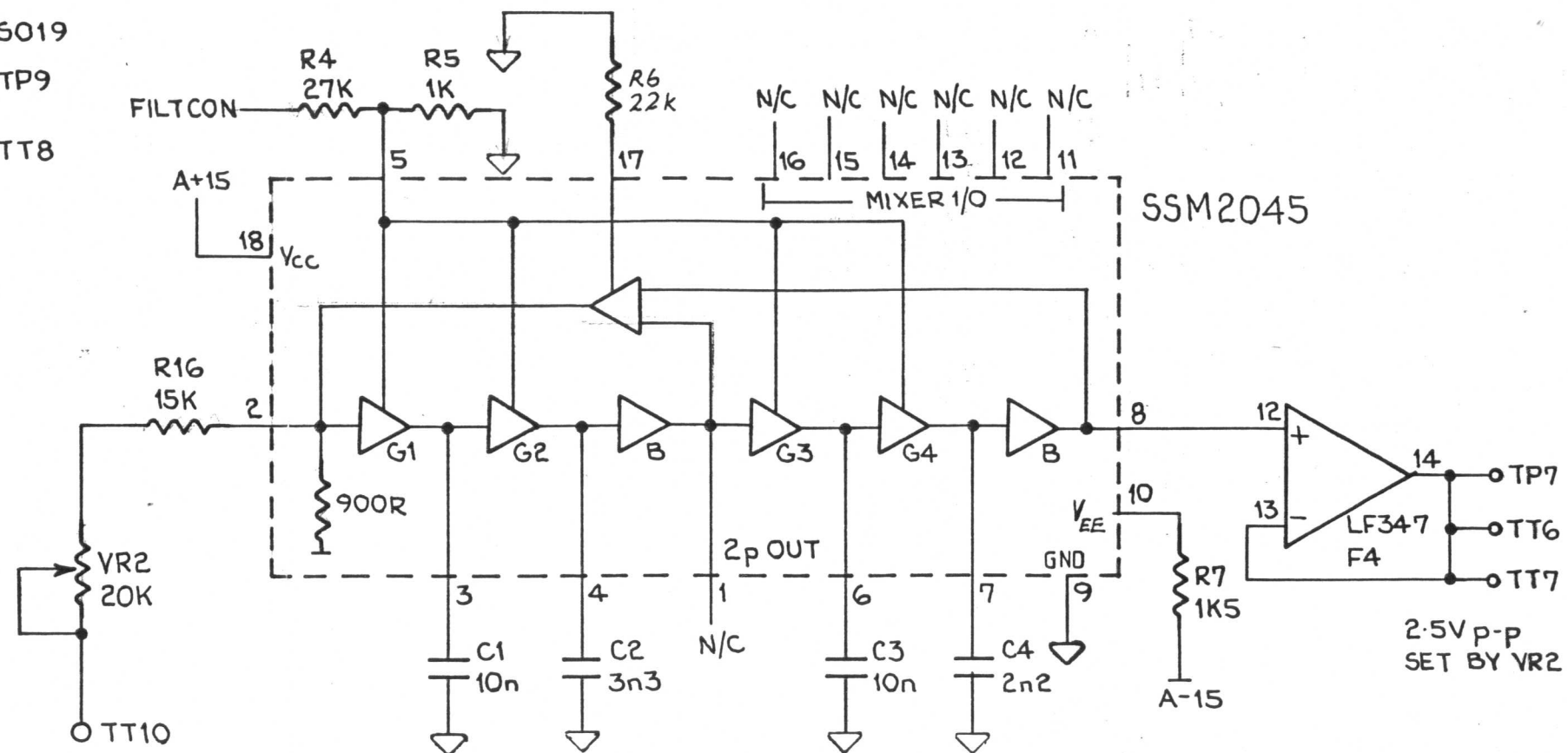
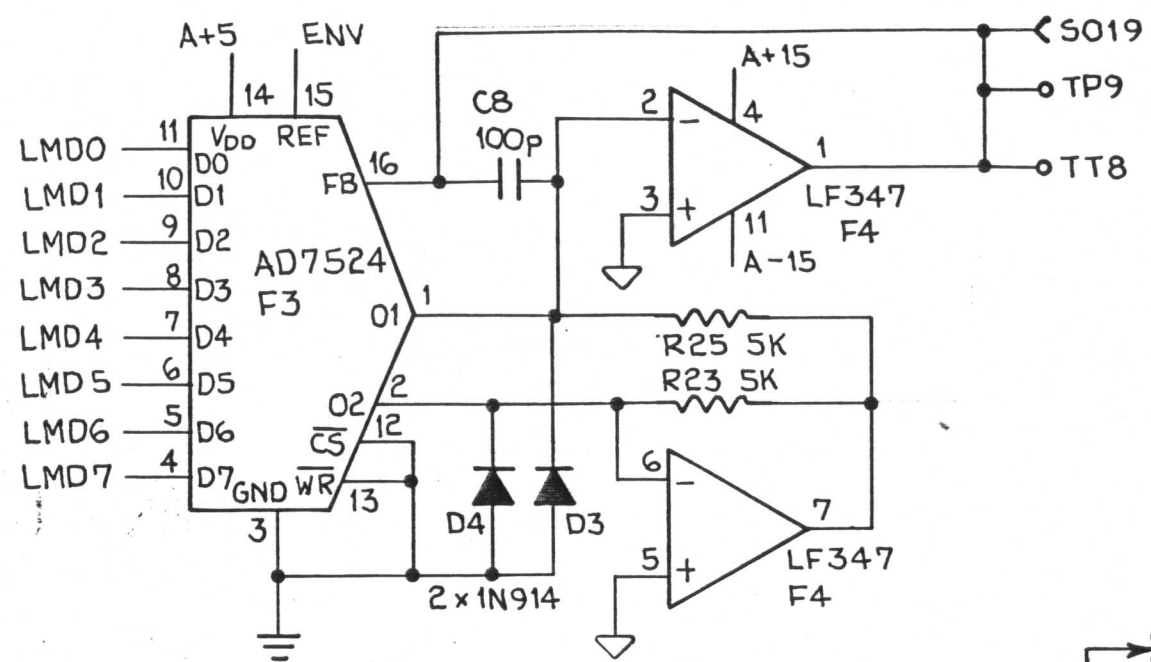


W.S. VIEW



REF+ = 6.9V ± 5%
REF- = -6.9V ± 5%

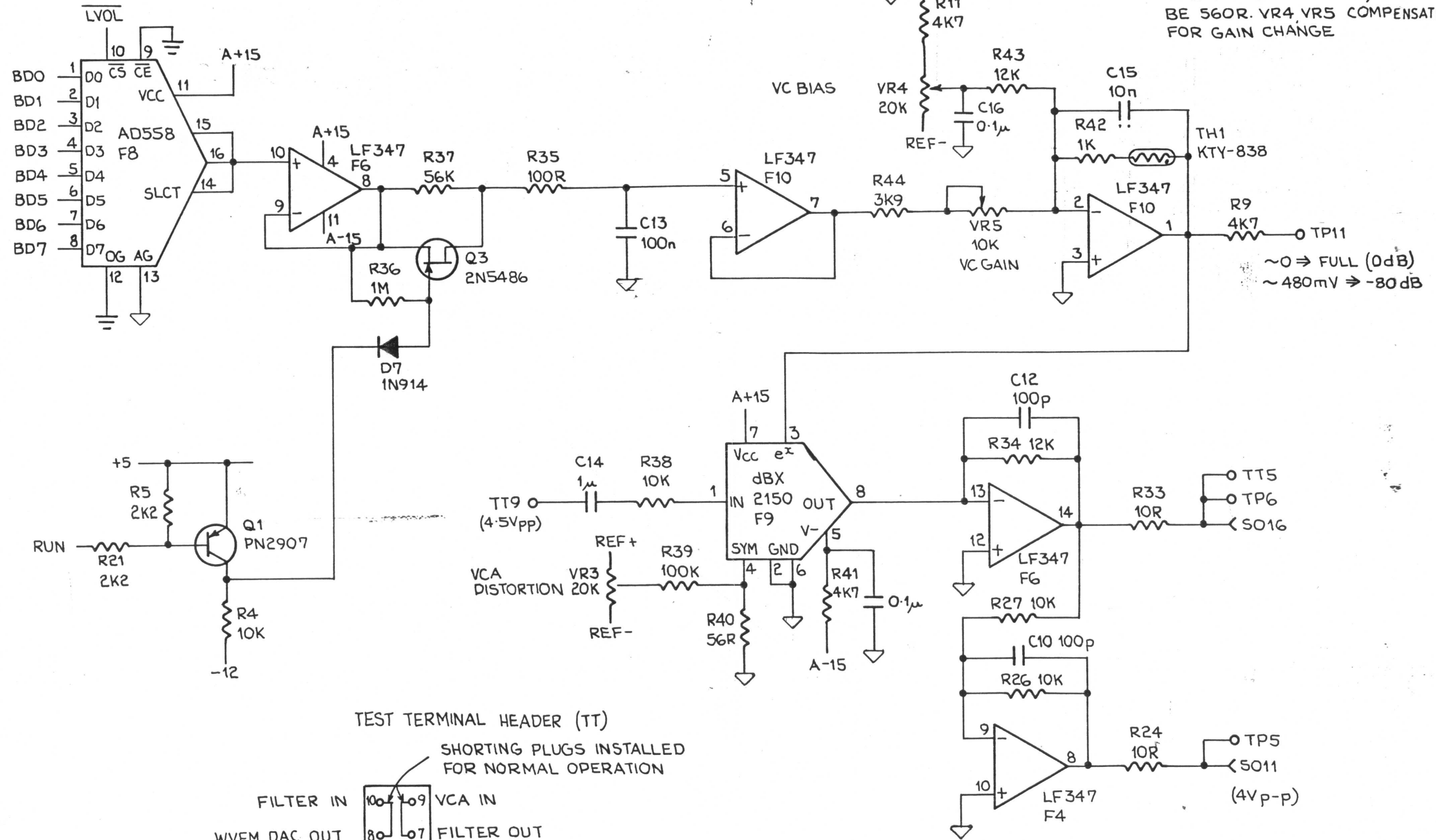
ITEM	DESCRIPTION	REQ'D	MATERIAL	REMARKS
	CMI CHANNEL CARD SERIES II		SCALE	PASSED DATE
	FILTER CONTROL		DRAWN Q.G.	DRAWING NUMBER
			TRACED	CMI-01-A-04
			CHECKED	SHT. 5 of 7
				REV.4



TOLERANCES
R23, R25 : 0.1%
FILTER CAPS. 5%

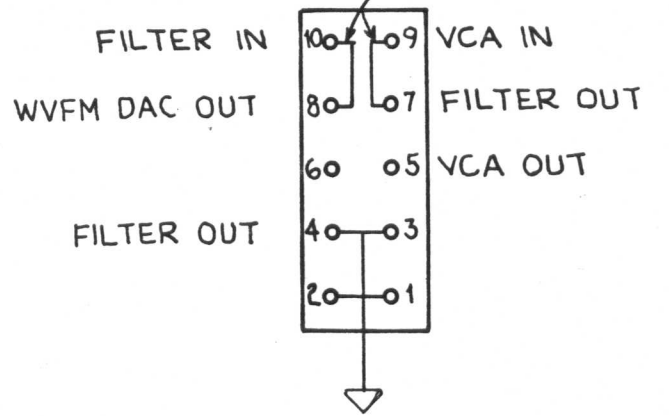
ITEM	DESCRIPTION	REQ'D	MATERIAL	REMARKS
CMI CHANNEL CARD SERIES II		SCALE		PASSED
				DATE
				10-10-84
TRACKING FILTER & ENVELOPE GENERATION		DRAWN	Q.G.	DRAWING NUMBER
		TRACED		CMI-01-A
		CHECKED		SHT. 6 of 7
		REV.4		

N.B. KTY-838 $\approx 1K\Omega$ @ 20°C (BLACK BAND)
 KTY-84B $\approx 600\Omega$ @ 20°C (GREEN BAND)
 IF KTY-84B INSTALLED, R42 SHOULD
 BE 560R. VR4, VR5 COMPENSATE
 FOR GAIN CHANGE



~0 \Rightarrow FULL (0dB)
 ~480mV \Rightarrow -80dB

TEST TERMINAL HEADER (TT)
 SHORTING PLUGS INSTALLED
 FOR NORMAL OPERATION



ITEM	DESCRIPTION	REQ'D	MATERIAL	REMARKS
	CMI CHANNEL CARD SERIES II		SCALE	PASSED
	VOLUME CONTROL AND OUTPUT		Q6	DATE
			TRACED	10-5-84
			CHECKED	DRAWING NUMBER
				CMI-01-A-06
				SHT. 7 of 7
				REV.4