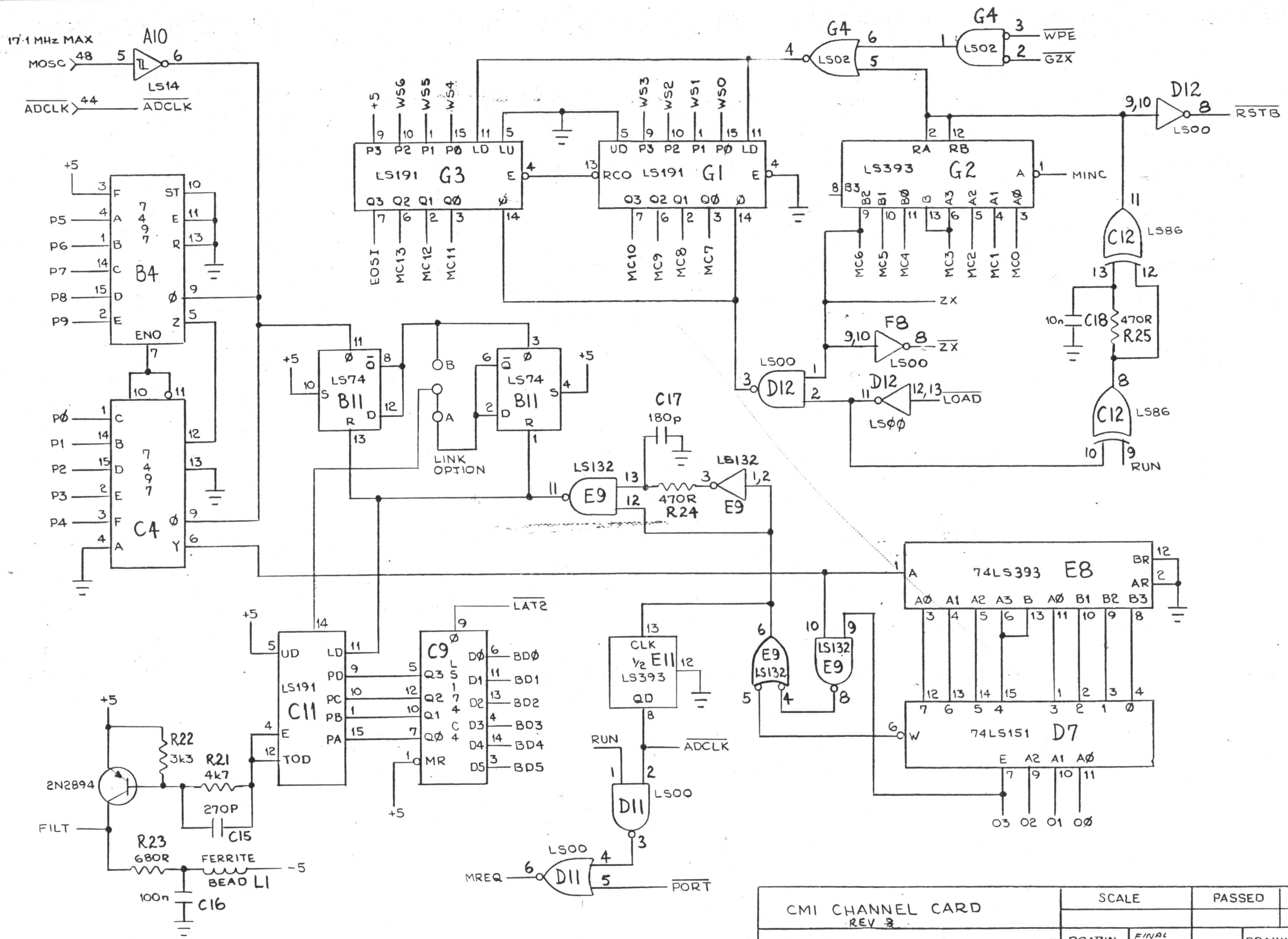
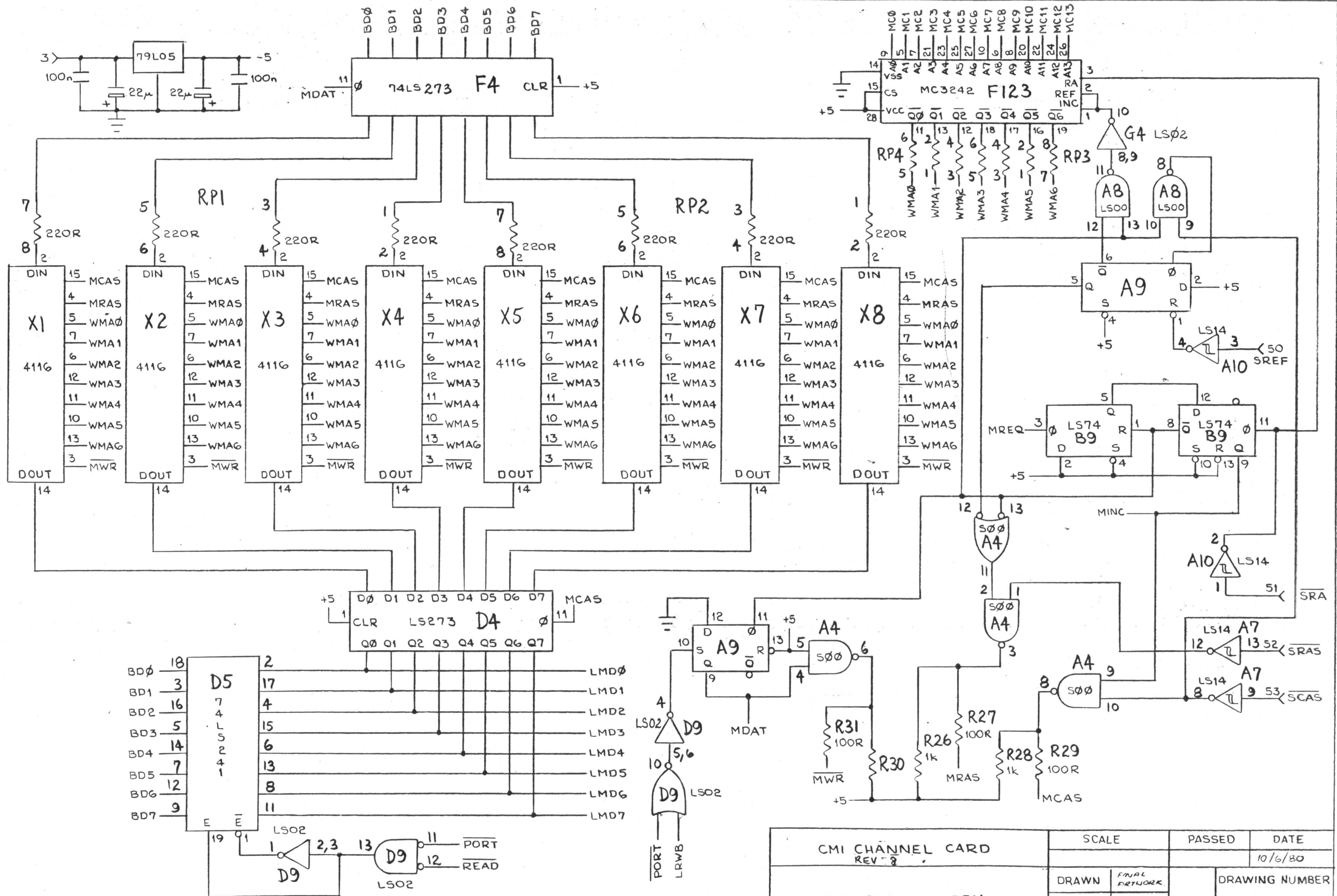


CMI CHANNEL CARD REVISION 8	SCALE		PASSED	DATE
	DRAWN		DRAWING NUMBER	10/6/80
	TRACED			
BUS CONTROL RAMP GENERATION	CHECKED		CMI-01-00	

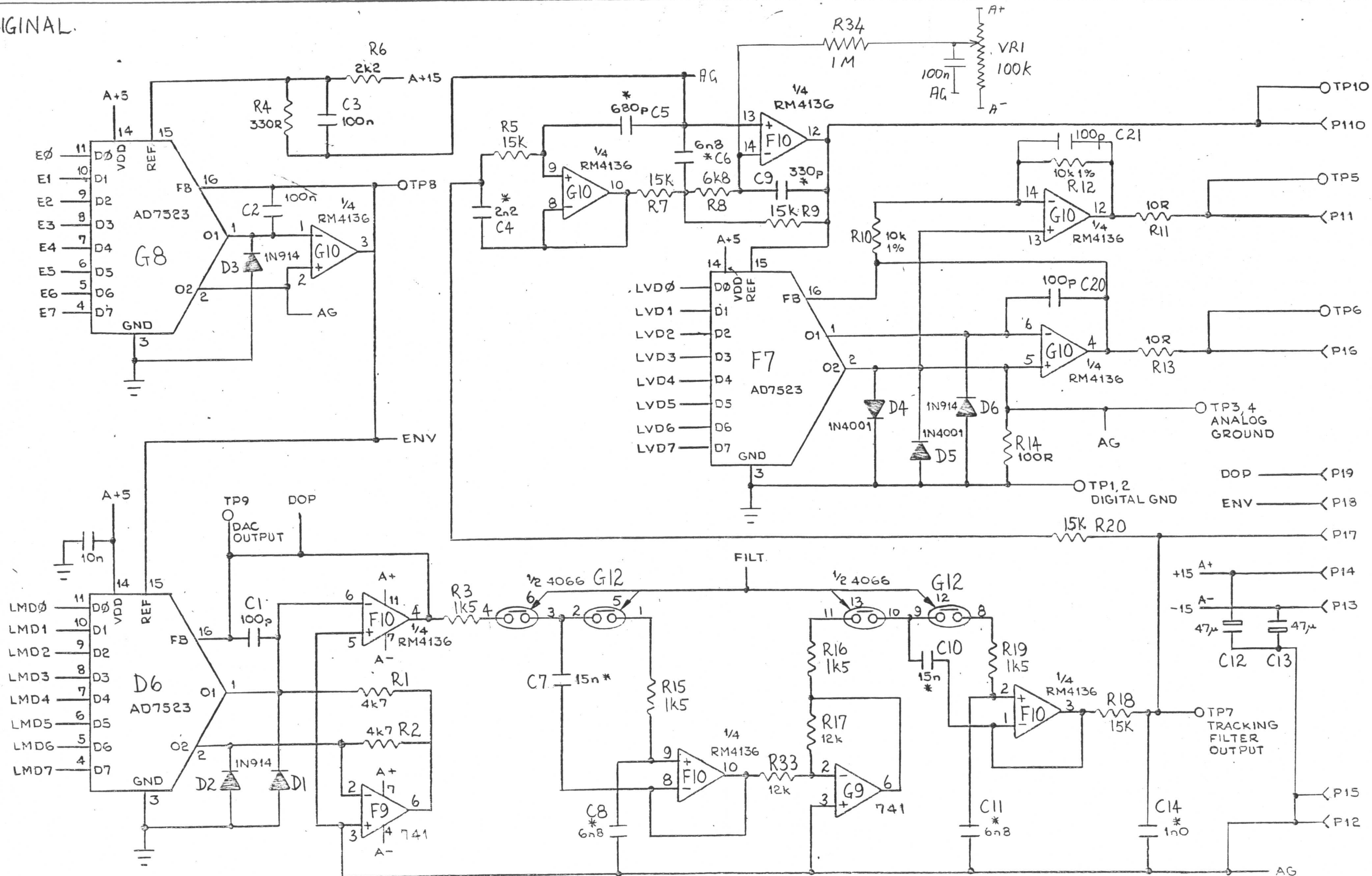


CMI CHANNEL CARD REV 8		SCALE		PASSED	DATE
					10/6/80
PITCH GENERATIONS AND WAVEFORM ADDRESSING		DRAWN	FINAL ARTWORK	DRAWING NUMBER  CMI-01-01	
		TRACED			
		CHECKED			

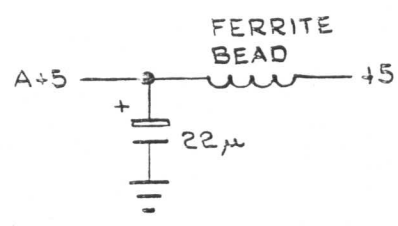


CMI CHANNEL CARD REV 2		SCALE	PASSED	DATE
				10/6/80
WAVEFORM MEMORY		DRAWN	FINAL NETWORK	DRAWING NUMBER CMI-01-02
		TRACED		
		CHECKED		

ORIGINAL



\* THESE CAPACITORS TO BE LAID OUT FOR .2" AND 7.5mm LEADS



CMI CHANNEL CARD REV 8	SCALE		PASSED	DATE
				10/6/80
AUDIO PROCESSING	DRAWN	FINAL ARTWORK	DRAWING NUMBER CMI-01-03	
	TRACED			
	CHECKED			